

Datasheet

8-inch Shallow Base (SHB-8)

General

TKH Airport Solutions shallow bases are designed for use with various types of 8" inset lights. The light fixtures are supplied with a standard edge thickness of 19 mm. The bases are prepared with a nut for an O-ring if a watertight construction is required. The bases are made of corrosion-proof aluminum alloy.

Key features

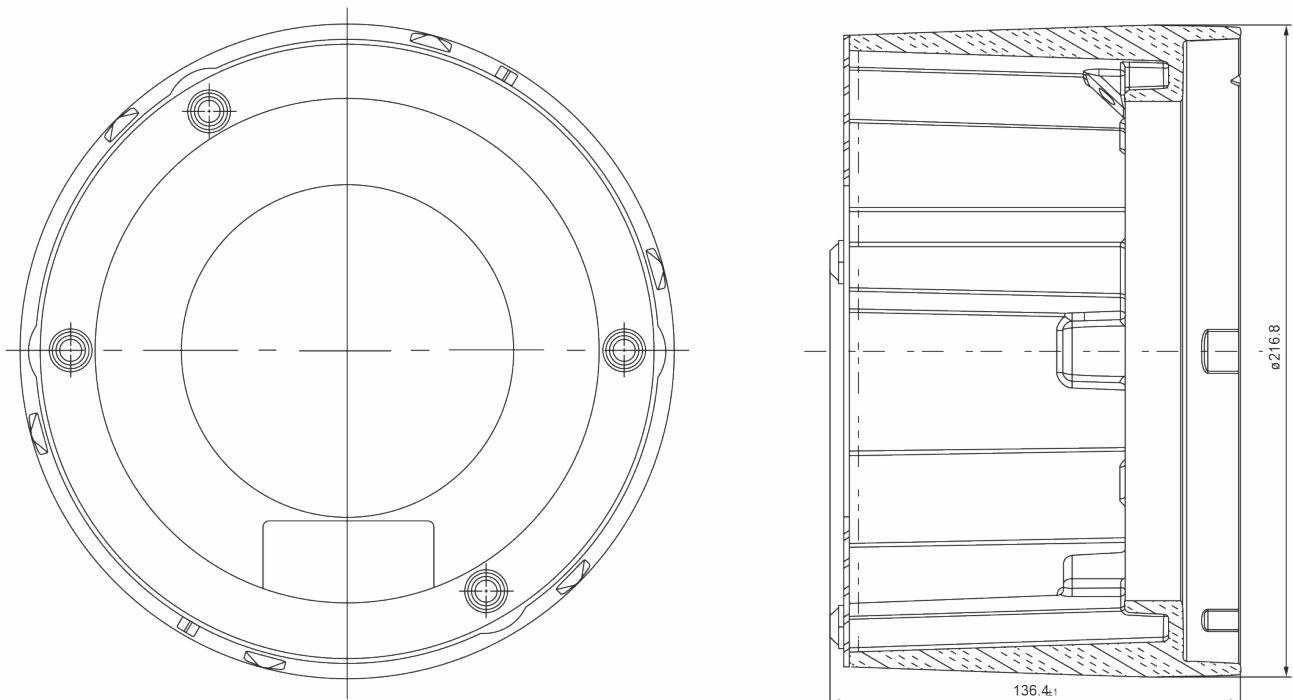
- Easy to install, light weight
- Made of corrosion-proof aluminium alloy
- Optimized thermal conductivity, increasing the operating life of the inset lights
- Easy connection between base and wiring system provided by 110 mm bottom hole
- Provided with an earth point (M6 mm)

Standards

The TKH Airport Solutions 8" shallow base has been developed in accordance with the following standards:

- FAA AC 150 / 5345 – 46 and 42 (current edition) for direct mounting of inset lights

Technical Drawing



Accessories

- Mounting kit for 8" shallow base including 2 screws, 2 anti-rotation pins, and 2 washers, either:
 - **SHB-8-Mounting-1** (2 screws M10 * 30 mm, 2 Nord-Lock washers, 2 anti-rotation pins)
 - **SHB-8-Mounting-2** (2 screws M10 * 30 mm, 2 standard washers, 2 anti-rotation pins)
 - **SHB-8-Mounting-3** (2 screws M10 * 30 mm, 2 anti-rotation pins)
- Alternatively, the bases can be mounted with threaded studs and lock nuts
- Earthing kit for 8" shallow base (**SHB-8-Earthing**)
- Installation tool for 8" shallow base (302.221/1)
- Telescope kit for directional adjustment of shallow base (302.222)

Packing data

8" shallow base

Packing material	Dimensions	Gross weight	Net weight	Net each
Max. 90 pcs bulk in a cardboard box on a pallet	Max. 120 x 80 x 110 cm	255.0 kg	225.0 kg	2.5 kg

Ordering code

Order Code	Description
SHB-8-0-I-0000S-D-000	Shallow Base 8 Inch Blind hole No surface treatment Cable input: Bottom hole Standard depth Die casting No special features
SHB-8-1-I-0000S-D-000	Shallow Base 8 Inch Through hole No surface treatment Cable input: Bottom hole Standard depth Die casting No special features

Document Information

Name : 04_LED_8_Inch_Shallow_Base_Type_SHB_03-71073
Version : V1.6
Language : English (Original manual)



For the latest version of this document see <https://www.tkh-airportsolutions.com/airfield-products/> or scan



Company profile:

TKH Airport Solutions offers a complete range of LED-based airfield ground lighting products that are designed to be easy to install, operate, and maintain, and are compliant with international aviation standards. Our products meet the needs of our customers and contribute to a better future for the aviation industry. Being part of the TKH Group, our company can build on a history of more than 90 years in smart connectivity, energy distribution and AGL.

More information:

TKH Airport Solutions
sales@tkh-airportsolutions.com
www.tkh-airportsolutions.com
+31 (0)53 57 414 56

Visiting address:

Elektrostraat 17
7483 PG Haaksbergen
The Netherlands