



Datasheet

Elevated Runway End Light (797 RWE)

General

The innovative elevated lights from the TKH Airport Solutions 797-series were launched in 2021. The 797 is a light-weight, high-intensity LED elevated light with a number of unique benefits:

- Light color provided by the LED, eliminating the use of color filters
- Low energy consumption
- IP rating IP68 and IP69 (resistant to high pressure cleaning)
- Easy to handle with its light weight and a single point for tilt adjustment
- Mounting on multiple pole diameters
- Optionally, the lights can be supplied with a:
 - Circling guidance light
 - De-icing kit with heated front glass
 - Second plug for individual control of either the circling guidance or the de-icing kit

Key features

- Power consumption (fixture only, not including cable losses, transformer efficiency, etc):
 - Standard: max. 29 W (max. rated voltage: 4.4 VAC)
 - Standard with Heating: max. 52 W (max. rated voltage: 7.9 VAC)
 - Standard with Circling Guidance: max. 41 W (max. rated voltage: 6.2 VAC)
 - Standard with Circling Guidance and Heating: max. 64 W (max. rated voltage: 9.7 VAC)
- Easy to adjust with a single-point tilt adjustment
- Ambient temperature: -40 °C (-40 °F) / + 75 °C (+167 °F)
- The shape, the small size and light weight (4-6 kg / 9-13 lbs) are favourable features in respect to wind load and jet blast
- Flexible mast adaptation for various diameters of poles
- Mounting on tube, pole or base plates
- Useful lamp life (LED) up to 50,000 h
- Fully corrosion proof components are used
- Finished in aviation yellow
- Dust and water tightness: IP68 and IP69
- Nominal AC frequency: 40-70 Hz

Standards

This fixture has been developed according to the following standards:

- ICAO Annex 14, Vol. 1 and Vol. 2
- FAA AC 150/5345-46E
- Engineering Brief No. 67D
- IEC TS 61827

Variants

The Elevated Runway End Light (797 RWE) is available in 4 main variants:

1. Standard
2. Standard with Heating
3. Standard with Circling Guidance
4. Standard with Circling Guidance and Heating

Two plugs

Variants 2, 3 and 4 have the option of a second plug enabling individual control of either the circling guidance or heating function (de-icing kit).

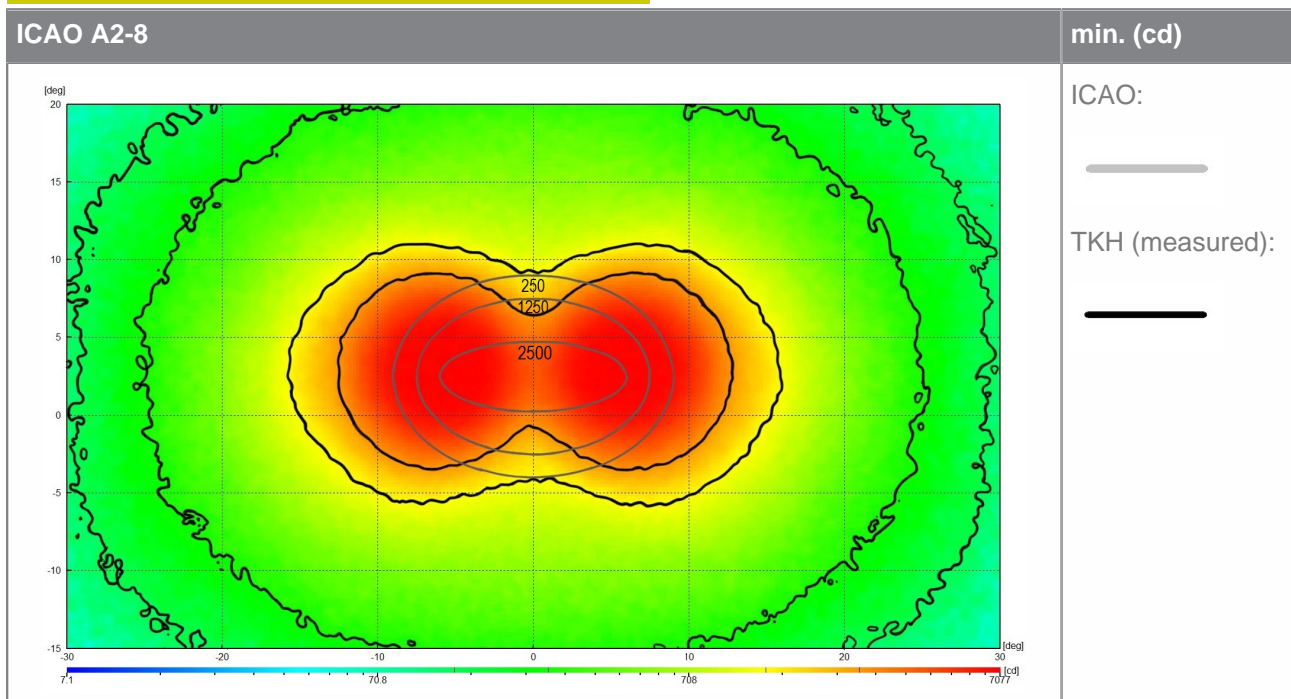
All lights are optionally available with sun shield and breakable coupling.

Colors

- Red (main beam)
- White (optional circling guidance)

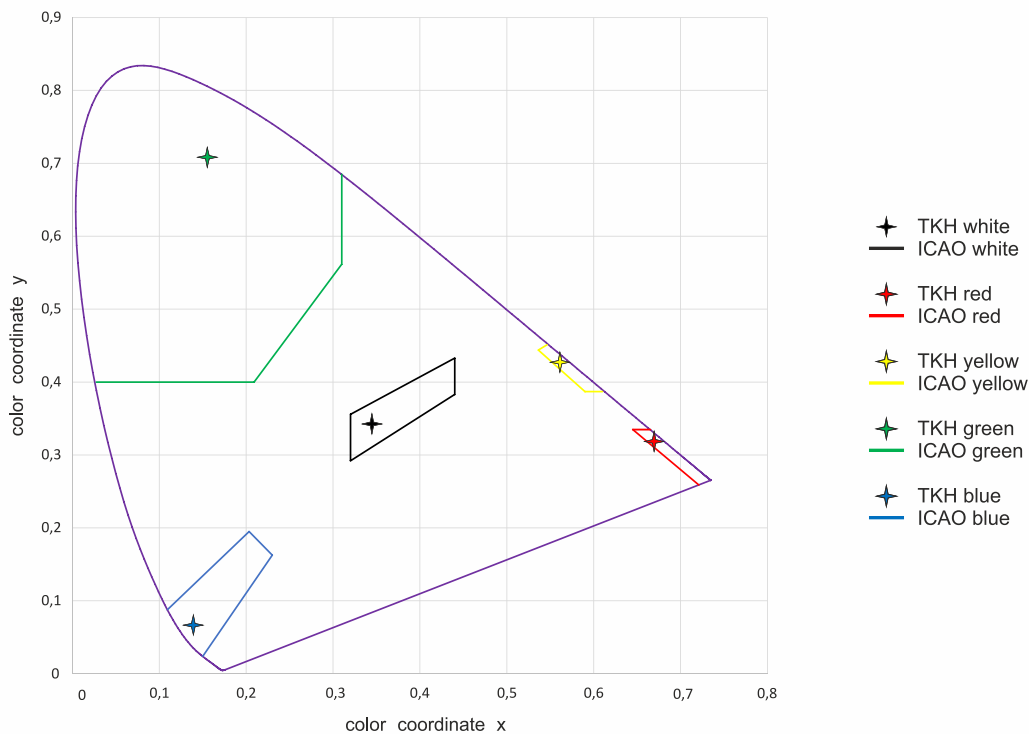
Light Distributions

Red, Elevated Runway End Light



Chromaticities

Areas description according to ICAO Annex 14, Volume I, Edition 8, July 2018



Couplings

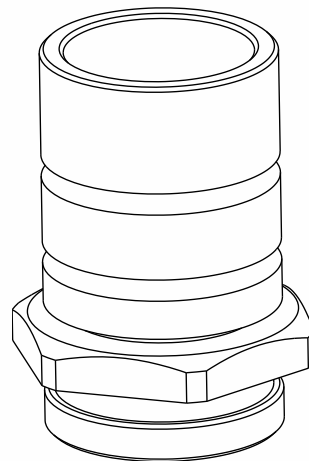
The TKH 797 elevated lights can be delivered with breakable couplings:

- Standard coupling with 2" thread (European standard thread or 11,5 NPT or NPS)

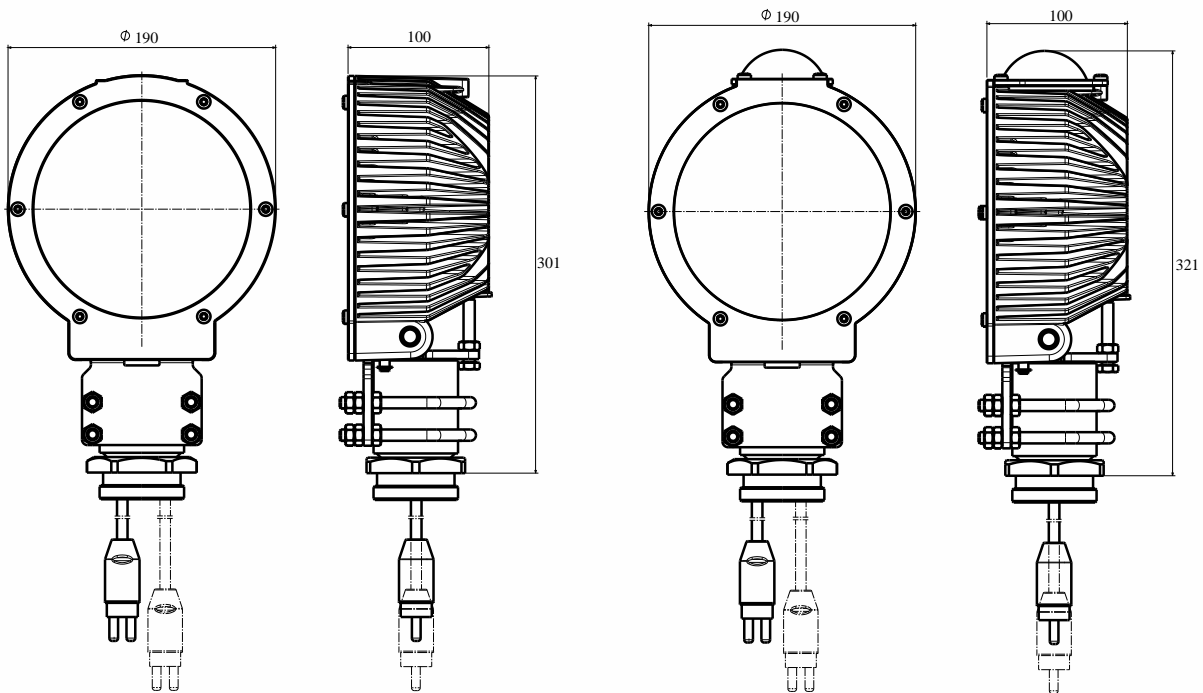
The TKH breakable coupling is calculated and tested to break at:

45 kgm \pm 4 kgm, which fulfills the requirements of FAA AC 150/5345-46E, ICAO Annex 14, Vol. 1 and IEC TS 61827.

For pole mounting of the 797 elevated lights, no breakable coupling is required.

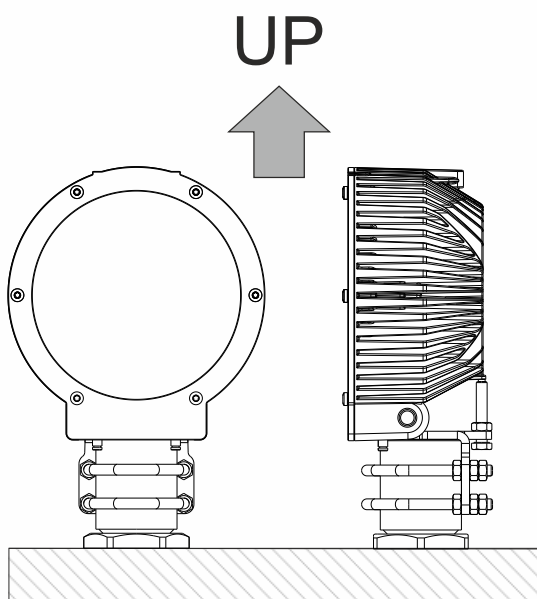


Dimensions



Operation position

The Elevated 797 fixture is for outdoor use only. The operation position must be according the drawing (note: drawing is indicative only).



Accessories

- Transformer
- Breakable coupling (230.129-00)
- Sun shield (230.133-00)
- Base plate
- Adjustment tool (017.000-00)
- Tripod (P-381095/1)

Please contact our sales team to know which accessories are required for your application.

Document Information

Name : 04_LED_Elevated_Runway_End_Light_797_RWE_03-71006
Version : V1.5
Language : English (Original manual)



For the latest version of this document see <https://www.tkh-airportsolutions.com/airfield-products/> or scan

Ordering code

Option	Key	Description	RWE	-	S	-	I	-	3	4	-	R	00	0	00	-	3	-	10	-	1	0	0	0	-	797	-	LED	-	A
Function	RWE	Runway End Light																												
Direction	S	Straight																												
	SO	Straight + Omni																												
Photometric Certification	I	ICAO																												
Light Intensity	1	ICAO CAT I																												
	2	ICAO CAT II																												
	3	ICAO CAT III																												
Cover/Size	4	Elevated																												
Color A	R	Red																												
Toe-in A	00	No Toe-In																												
Color B	0	Blank																												
	W	White																												
Toe-in B	00	No Toe-In																												
	CG	Circling Guidance																												
Prism	3	Glass for Elevated Lights																												
Cable	10	250mm One Plug																												
	1E	250mm and 360mm Two Plugs																												
Plug type	1	Standard FAA 2-Pole-Plug																												
Fail-open	0	Without Fail-Open																												
	1	With Fail-Open (Relay)																												
	2	With Fail-Open (Signal Interface)																												
Heater	0	No Heater																												
	1	With Heater																												
	2	With Heater, Individually Controllable																												
Special options	0	No Special Options																												
Family	797	Unidirectional Elevated																												
Light Source	LED	LED																												
Coupling	0	Clamp for Pole Mounting																												
	A	Coupling A																												



Company profile:

TKH Airport Solutions offers a complete range of LED-based airfield ground lighting products that are designed to be easy to install, operate, and maintain, and are compliant with international aviation standards. Our products meet the needs of our customers and contribute to a better future for the aviation industry. Being part of the TKH Group, our company can build on a history of more than 90 years in smart connectivity, energy distribution and AGL.

More information:

TKH Airport Solutions
sales@tkh-airportsolutions.com
www.tkh-airportsolutions.com
+31 (0)53 57 414 56

Visiting address:

Elektrostraat 17
7483 PG Haaksbergen
The Netherlands