



Datasheet

Stand Maneuvering Guidance Light 60cd (SMGL60)

General

TKH Airport Solutions inset lights are efficient and high-performing LED lights, providing at least 50,000 hours of service life at full 6.6 A operation. The LED light fixtures have a simplified modular construction, consisting of five main components:

- Aluminum forging cover plate, with mechanical load capabilities exceeding FAA requirements
- Interchangeable LED light module
- Electronic driver board with housing
- Borosilicate glass prism
- Secondary cable in accordance with FAA or ICAO requirements

This means easy maintenance of the lights because of the reduction of the amount of spare parts.

All of our inset lights are also available as part of our CEDD[®] solution. Please note that the specifications of CEDD lights are different from this datasheet. Contact our team for more details.

Key features

- 8" outer diameter
- 4 mm height above surface
- Depth below flange: 35 mm
- Light outlet size Ø 80 mm
- Dust and water tightness: IP 68
- Overall lifetime* > 20 years
- Useful lamp life (LED) up to 50,000 h
- Chromaticity coordinates according to ICAO Annex 14, Vol. 1 or FAA AC 150/5345-46E
- Nominal current: 6.6 A (0 – 100 %)
- Power consumption (@6.6 A): 11 W
- $U_{\max}(100\ %)$: 1.7 V
- $U_{\min}(0.1\ %)$: 1.1 V
- Power factor > 95 % at nominal current
- Ambient temperature: -40 °C (-40 °F) / + 75 °C (+167 °F)
- Internal serial interface for diagnostics and parameterization
- Fail/open function (optional)
- Integrated single lamp control (optional with CEDD)

*) Apart from wear parts

Standards

This fixture has been developed according to the following standards:

- ICAO Annex 14, Vol. 1 and Vol. 2
- FAA AC 150/5345-46E
- Engineering Brief No. 67D
- IEC TS 61827

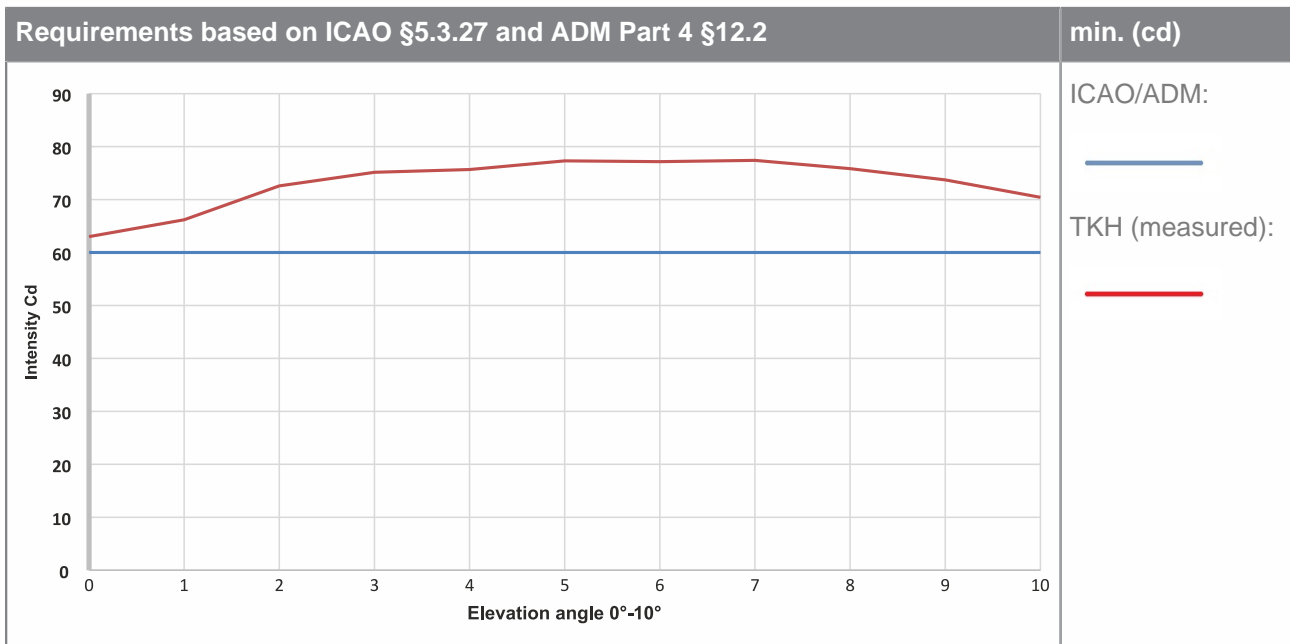


Colors

- Yellow



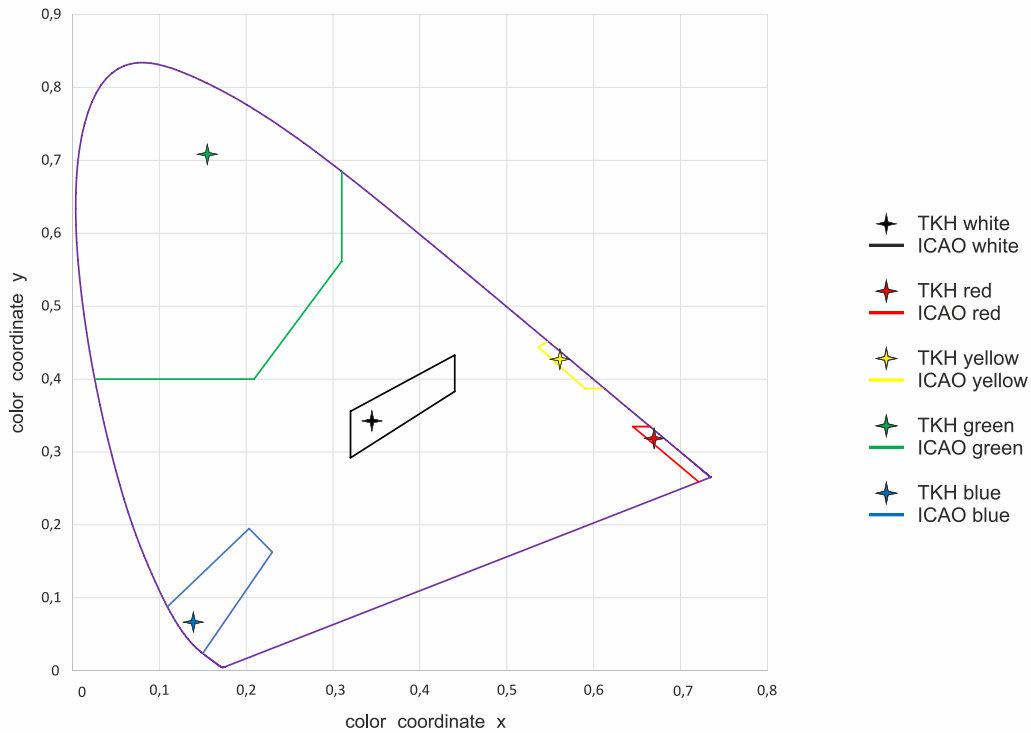
Light distributions



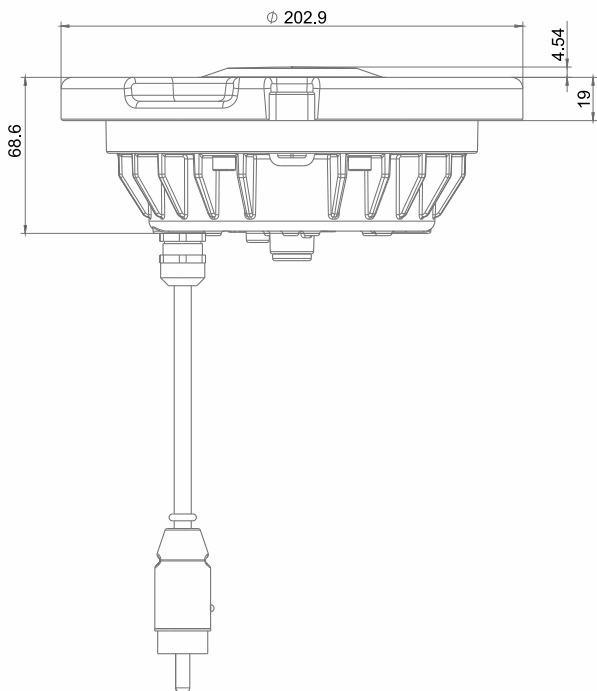
This candela diagram shows a single section of the full 360° diagram.

Chromaticities

Areas description according to ICAO Annex 14, Volume I, Edition 8, July 2018



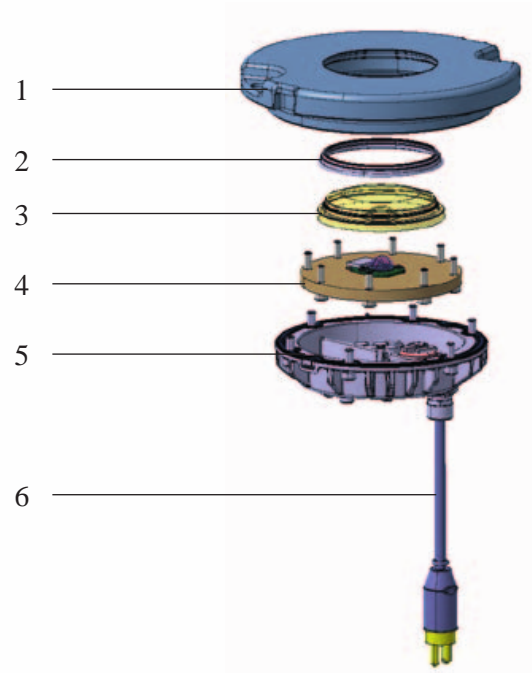
Dimensions (mm)



Components

Omnidirectional

1. Cover (drop forged AL, anodized)
2. Sealing (Fluor silicate)
3. Prism (borosilicate glass)
4. High power LED module
5. Housing (AlSi10Mg, die-cast)
6. FAA L-823 plug



Accessories

- Transformer
- Shallow base

Please contact our sales team to know which accessories are required for your application.

Packing data

Variant	Dimensions (L x W x H) in mm	Gross weight in kg	Net weight in kg
8" Fixture	250 x 250 x 105	2.8	2.5
8" Shallow Base	215 x 215 x 130	2.7	2.5

Ordering code

Option	Key	Description	SMGL60	-	O	-	I	-	3	1	-	Y	00	0	00	-	1	-	10	-	1	0	0	0
Version	SMGL60	Stand Manoeuvring Guidance Light 60cd																						
Direction	O	Omni																						
Regulation	I	ICAO																						
Light Intensity	1	CAT I																						
	2	CAT II																						
	3	CAT III																						
Cover/Size	1	8 Inch Cover																						
Color A	Y	Yellow																						
Toe-in A	00	No Toe-In																						
Color B	0	Blank																						
Toe-in B	00	No Toe-In																						
Prism	1	Borosilicate Prism																						
Cable	10	250mm One Plug																						
	20	457mm One Plug																						
	30	300mm One Plug																						
Plug type	1	Standard FAA 2-Pole-Plug																						
Fail-open	0	Without Fail-Open																						
	1	With Fail-Open Hardware Relais																						
	2	With Fail-Open Signal Interface																						
Deicing-Kit	0	Without De-icing																						
Special options	0	No Special Options																						
	1	temperature compensation																						



Document Information

Name : 04_LED-
AGL_Stand_Maneuvering_Guidance_Light_Type_SMGL60_03-71070

Version : V1.2

Language : English (Original manual)



For the latest version of this document see <https://www.tkh-airportsolutions.com/airfield-products/> or scan



Company profile:

TKH Airport Solutions offers a complete range of LED-based airfield ground lighting products that are designed to be easy to install, operate, and maintain, and are compliant with international aviation standards. Our products meet the needs of our customers and contribute to a better future for the aviation industry. Being part of the TKH Group, our company can build on a history of more than 90 years in smart connectivity, energy distribution and AGL.

More information:

TKH Airport Solutions
sales@tkh-airportsolutions.com
www.tkh-airportsolutions.com
+31 (0)53 57 414 56

Visiting address:

Elektrostraat 17
7483 PG Haaksbergen
The Netherlands