



Datasheet

Baseplate (790 series)

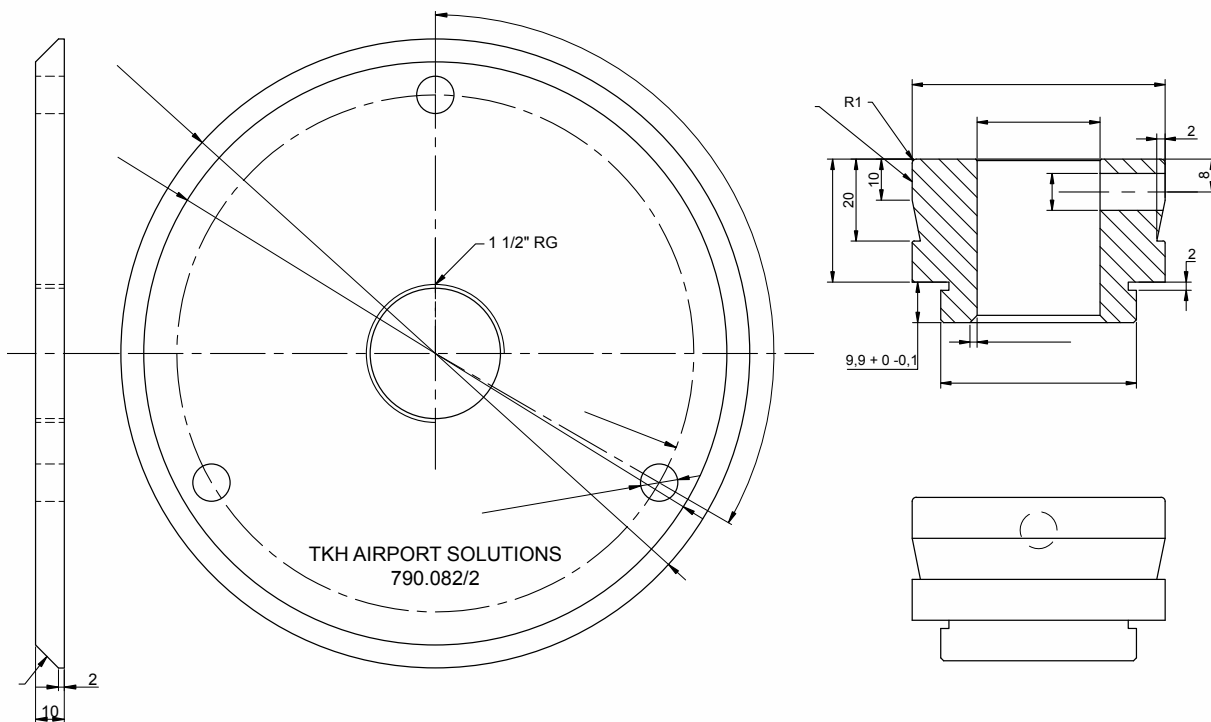
General

TKH Airport Solutions base plates can be used with all types of TKH elevated lights. The base plates are compatible with either breakable coupling A or breakable coupling C. The base plates can be mounted directly onto the pavement or onto the light base in order to allow the installation of an elevated light.

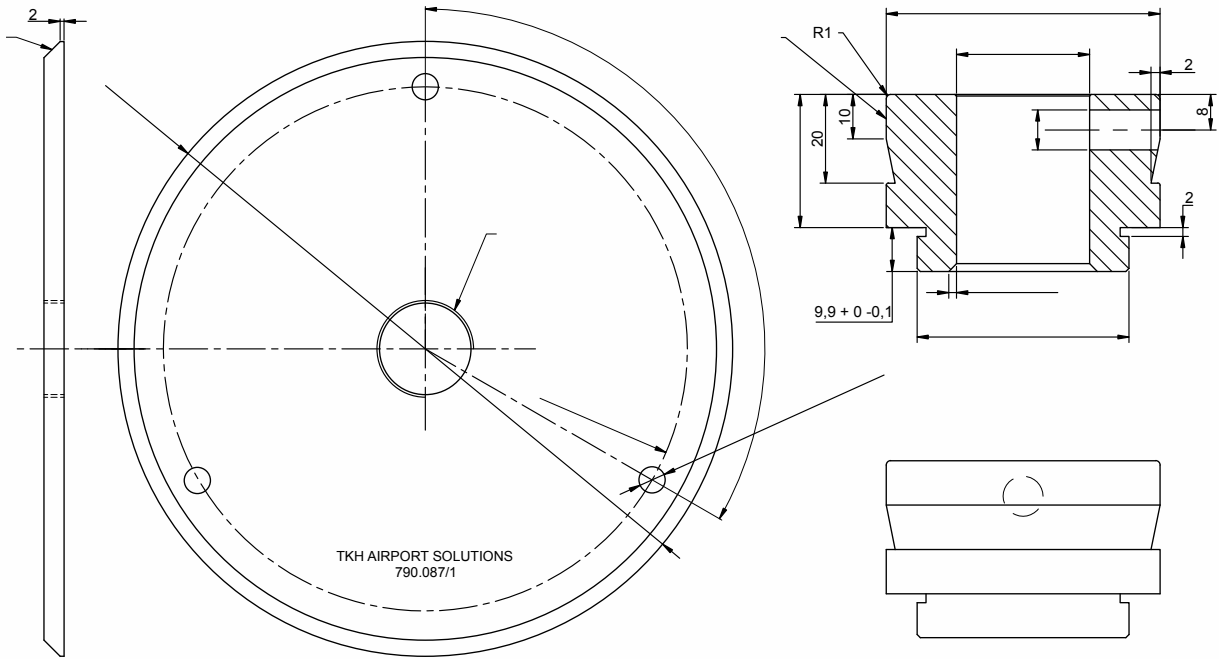
Key Features

- Compatible with full product range of elevated lights
- All plates made of aluminum
- The base plates can be supplied in yellow coating
- The base plates can be supplied with earth connection thread

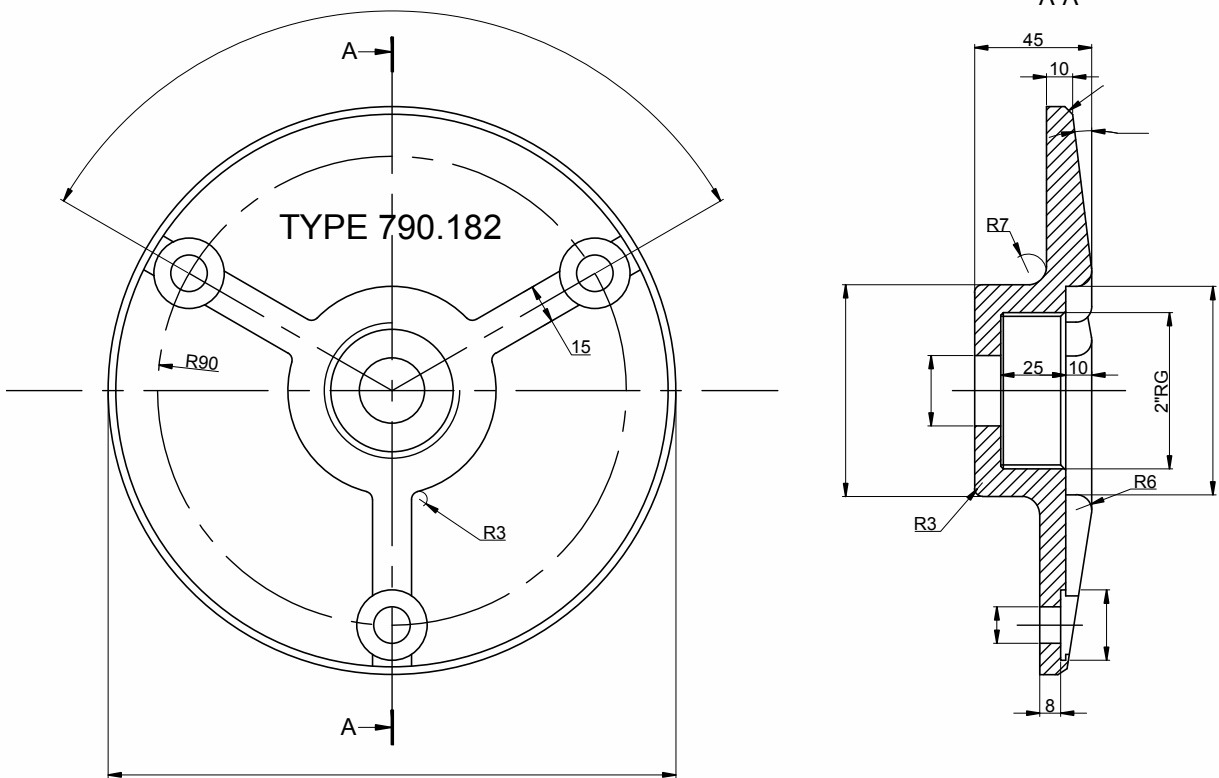
Technical Drawings



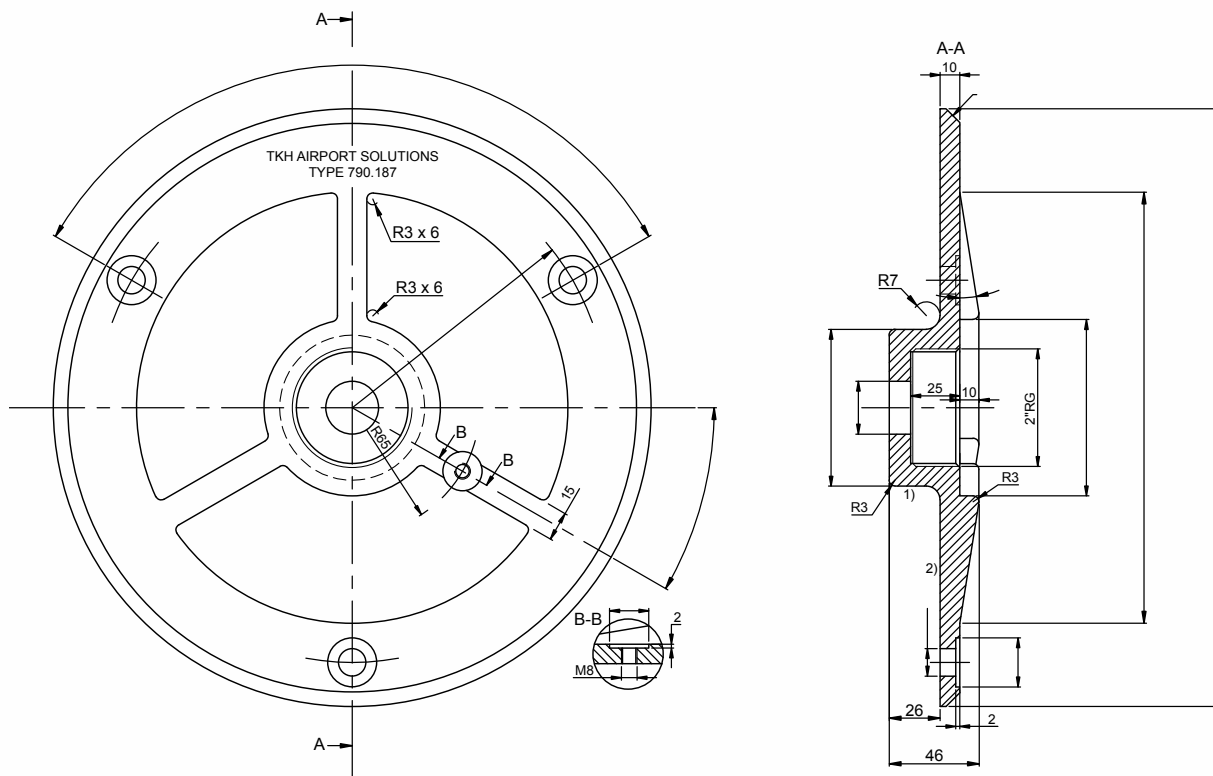
Type 790.082/2



Type 790.087/1



Type 790.182



Type 790.187

Ordering code

Ordering code	Description	Weight
790.082/2	8" baseplate for use with coupling type C	1.1 kg
790.182	8" baseplate for use with coupling type A	1.2 kg
790.182.2	8" baseplate for use with coupling type A (with earthing point)	1.2 kg
790.087/1	12" baseplate for use with coupling type C	2.2 kg
790.187	12" baseplate for use with coupling type A	2.3 kg
790.187.3-G	12" baseplate for use with coupling type A (yellow)	2.3 kg



Document Information

Name : 04_Baseplate_790_series_03-71063
Version : V1.4
Language : English (Original manual)

For the latest version of this document see <https://www.tkh-airportsolutions.com/airfield-products/> or scan:





Company profile:

TKH Airport Solutions is an innovator in airfield ground lighting, offering a complete range of LED AGL products. We build upon the know-how from a long and successful tradition of pioneering developments in the AGL and connectivity industry. Being part of the TKH Group, our company can build on a history of more than 90 years in smart connectivity, energy distribution and AGL.

More information:

TKH Airport Solutions
sales@tkh-airportsolutions.com
www.tkh-airportsolutions.com
+31 (0)53 57 414 56

Visiting address:

Elektrostraat 17
7483 PG Haaksbergen
The Netherlands