



## Datasheet

### Snow Plow Ring (890.151)

## General

The snow plow ring provides a way of protecting in-pavement lights on runways and taxiways when using front loaders, snow blowers or snow plows for snow removal. Its characteristic is a gentle slope towards the top of the fixture. The snow plow ring creates a separation between pavement and fixture.

## Key Features

- Highly cost effective because of reduced need of locating and repairing damaged fixtures
- Minimizes runway / taxiway downtime by simplifying and accelerating the snow removal operations
- Maintains the photometric properties of the fixture at all times
- Easy to install

## Standards

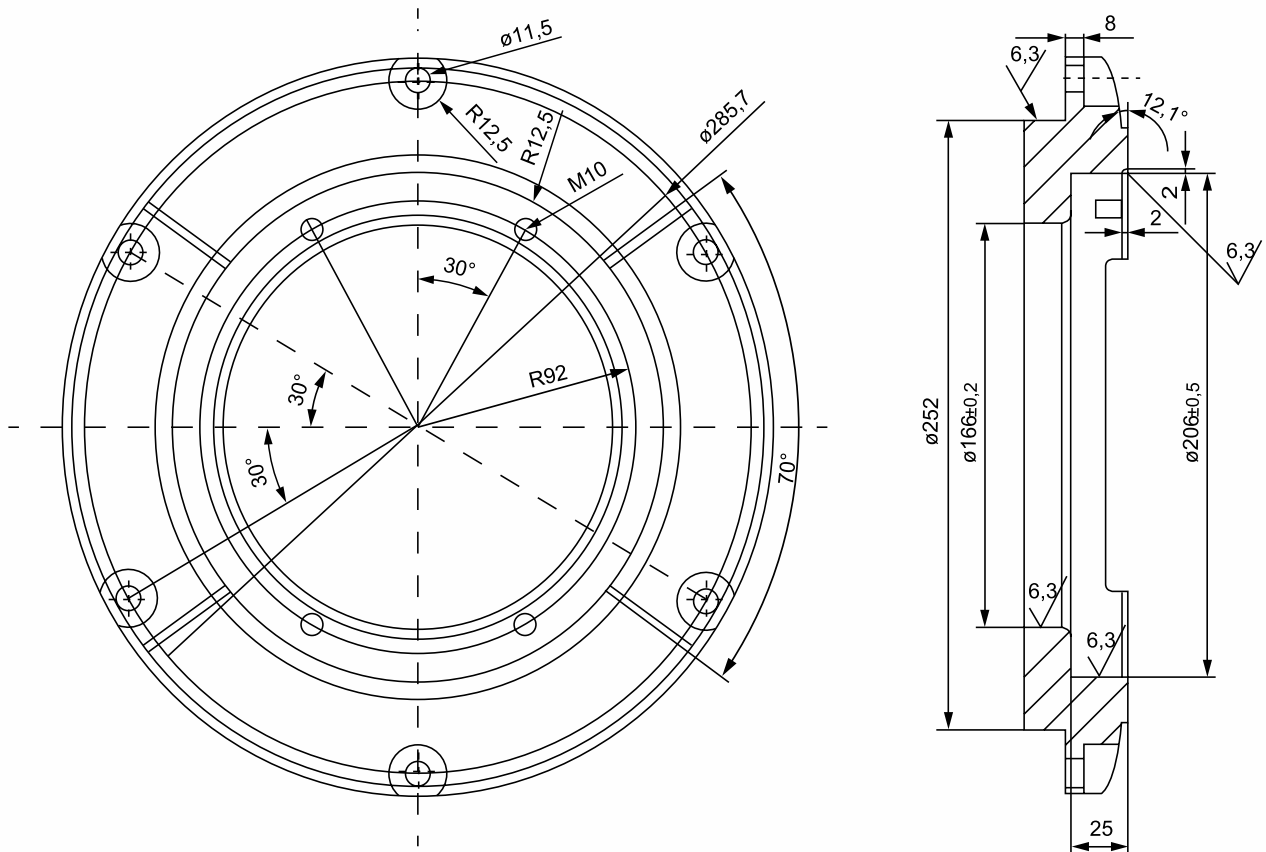
The Snow Plow Ring (890.151) has been developed in accordance with the following standards:

- FAA AC 150 / 5345 – 42 (current edition)

## Specifications

- Material: Ductile iron
- Finish: Brown powder coat
- Weight: Approximately 9 kg

## Dimensions



## Installation

The snow plow ring uses the same bolt circles as the 12" fixture. Fixing to the base is done with 6 bolts type M10 x 35 mm.

The 8" light fixture is fixed to the snow plow ring with 2 bolts type M10 x 35 mm. In addition, 2 inbus positioning bolts might be needed.

## Accessories

Description	No. / Ring	Part no.
O-ring, Ø 4,0 mm	0 or 1	P-850374
Screw M10 x 30-A2	2 or 4	P-902575
Washer M10-A2	2 or 4	P-901006
M10 inbus positioning bolt	0 or 2	40-5870

## Packing data

### Snow plow ring

Packing material	Dimensions	Gross weight	Net weight	Net each
Max. 100 pcs bulk in a cardboard box on a pallet	Max. 120 x 80 x 70 cm	930 kg	900 kg	9.00 kg

## Document Information

Name : 04\_Snow\_Plow\_Ring\_Type\_890.151\_03-71062

Version : V1.4

Language : English (Original manual)

For the latest version of this document see <https://www.tkh-airportsolutions.com/airfield-products/> or scan:





### Company profile:

TKH Airport Solutions is an innovator in airfield ground lighting, offering a complete range of LED AGL products. We build upon the know-how from a long and successful tradition of pioneering developments in the AGL and connectivity industry. Being part of the TKH Group, our company can build on a history of more than 90 years in smart connectivity, energy distribution and AGL.

#### More information:

TKH Airport Solutions  
sales@tkh-airportsolutions.com  
www.tkh-airportsolutions.com  
+31 (0)53 57 414 56

#### Visiting address:

Elektrostraat 17  
7483 PG Haaksbergen  
The Netherlands



member of the TKH Group <