



# Datasheet

## Baseplate (790 series)

**LED AGL**

Airfield Ground Lighting

03-71063

V1.3

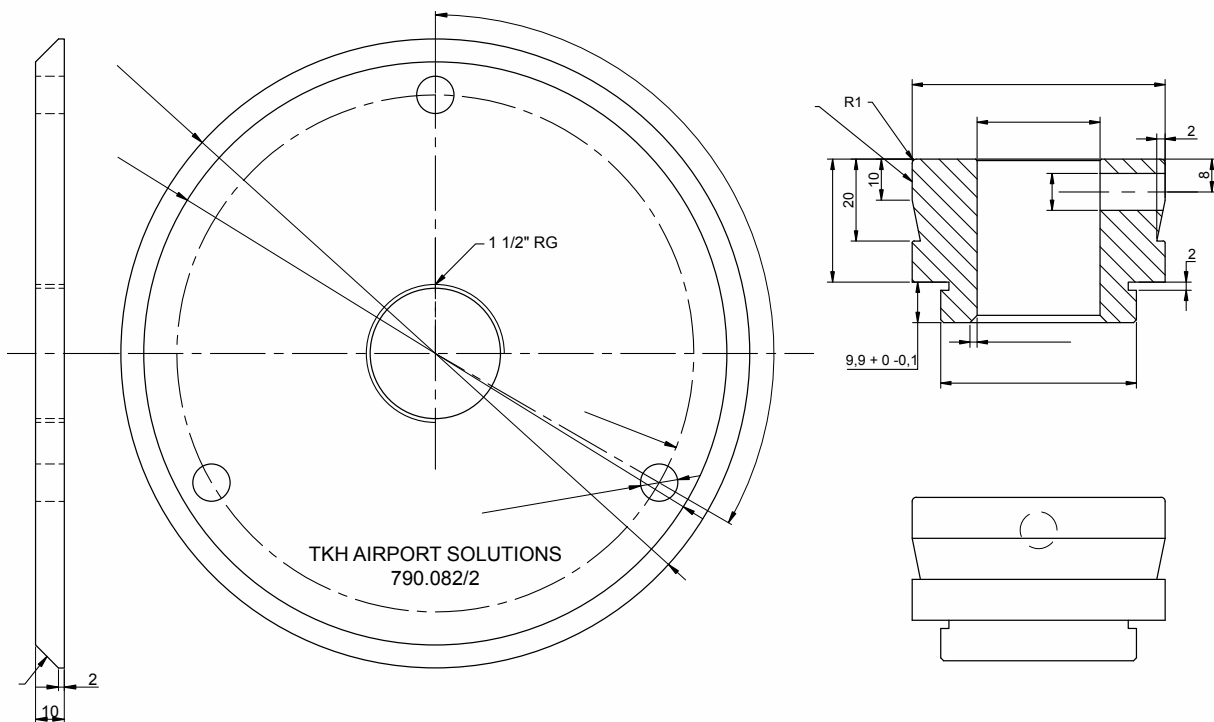
## General

TKH Airport Solutions base plates can be used with all types of TKH elevated lights. The baseplates are compatible with either breakable coupling A or breakable coupling C. The bases plate can be mounted directly onto the pavement or onto the light base in order to allow the installation of an elevated light.

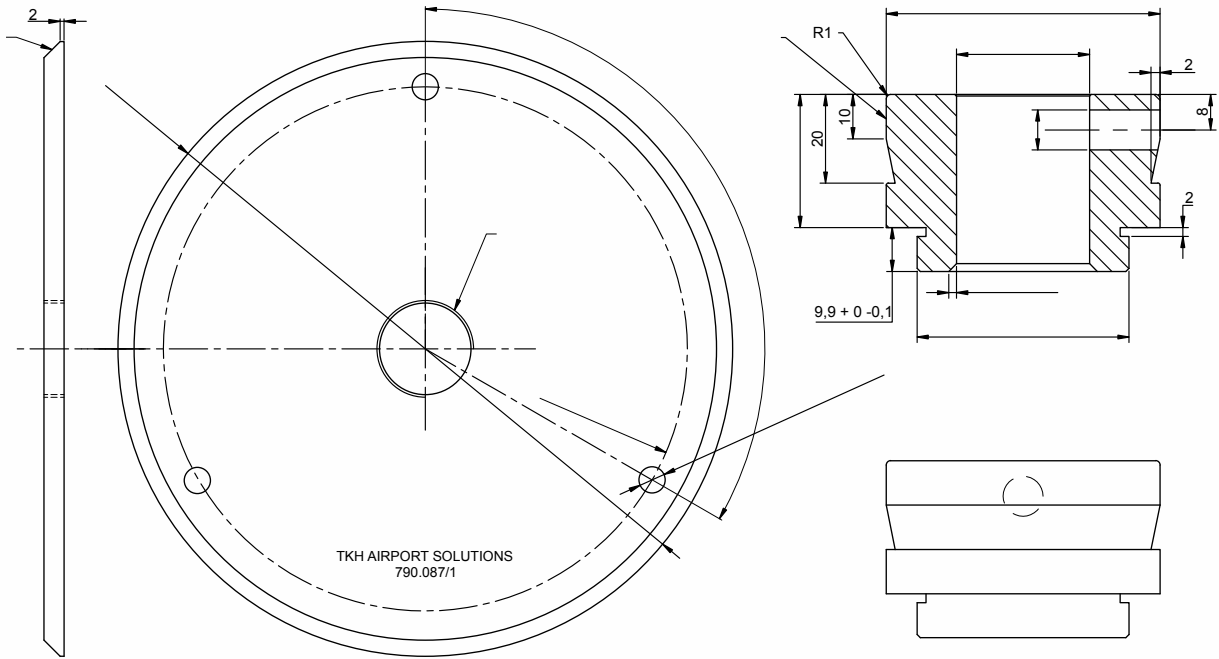
## Key Features

- Compatibility with our whole product range of elevated lights
- All plates made of aluminum
- The base plates can be supplied in yellow coating
- The base plates can be supplied with earth connection thread

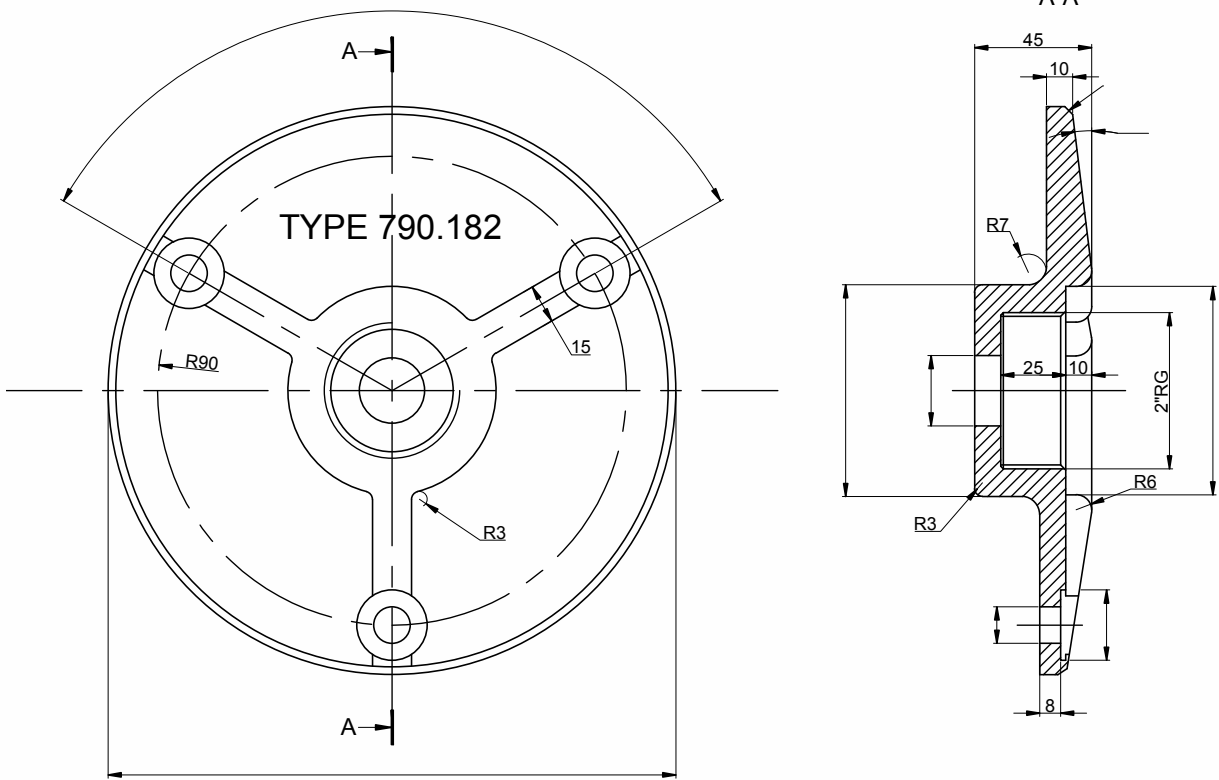
## Technical Drawings



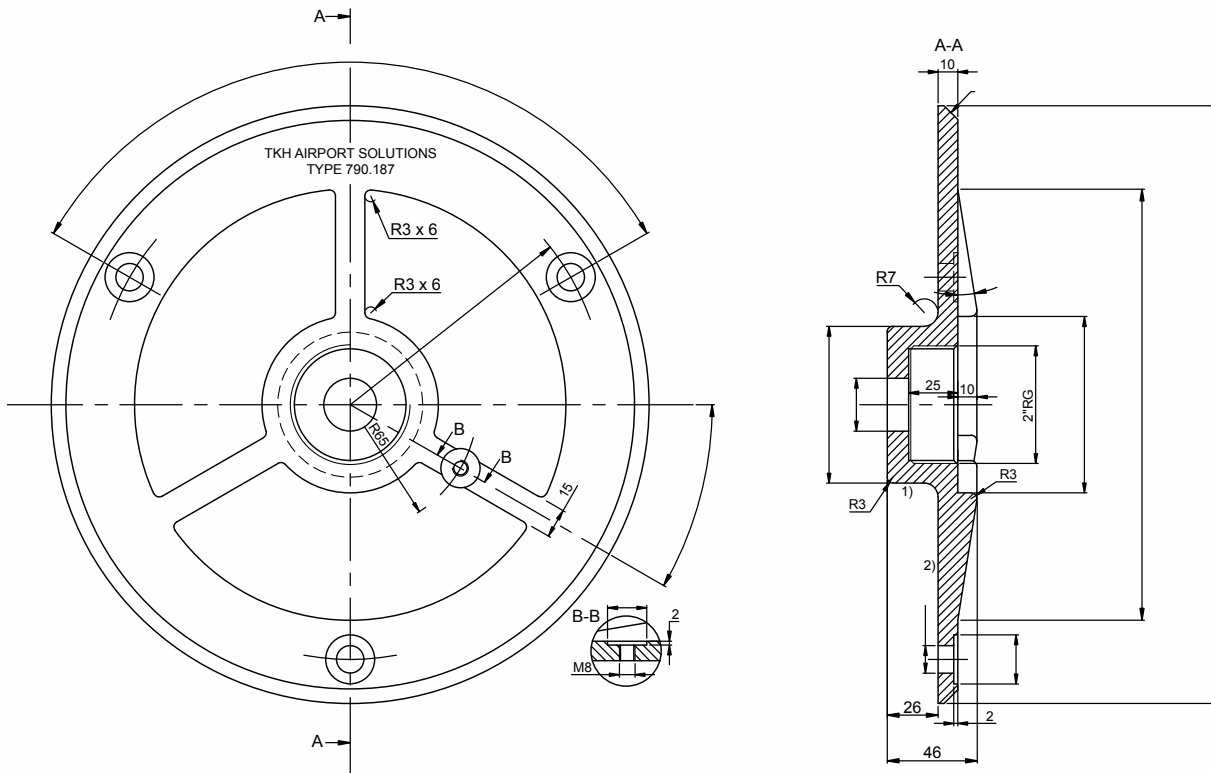
Type 790.082/2



Type 790.087/1



Type 790.182



Type 790.187

## Ordering code

Ordering code	Material code	Description	Weight
790.082/2	011.560-047	8" baseplate for use with breakable coupling type C	1.1 kg
790.182	011.560-087	8" baseplate for use with breakable coupling type A	1.2 kg
790.087/1	011.560-057	12" baseplate for use with breakable coupling type C	2.2 kg
790.187	011.560-067	12" baseplate for use with breakable coupling type A	2.3 kg



## Document information

---

Name : 04\_Baseplate\_790\_series\_03-71063  
Version : V1.3  
Language : English (Original manual)

For the latest version of this document see <https://www.tkh-airportsolutions.com/airfield-products/> or scan:





### Company profile:

TKH Airport Solutions is an innovator in airfield ground lighting, providing a range of AGL products and solutions. Powerful, reliable LED lighting technology as well as future-proof innovative solutions for airfield lighting. Being part of the TKH Group, our company can build on a history of more than 90 years in smart connectivity, energy distribution and AGL.

#### More information:

TKH Airport Solutions  
sales@tkh-airportsolutions.com  
www.tkh-airportsolutions.com  
+31 (0)53 57 414 56

#### Visiting address:

Elektrostraat 17  
7483 PG Haaksbergen  
The Netherlands



member of the TKH Group <