



Datasheet

Elevated Fixture - High Intensity Threshold/Runway End (HIRE THRE)

General

CEDD® is a smart, safe and sustainable airfield ground lighting technology. Energy and data transport are combined in a single cable. CEDD® airfield lights receive their power and data by means of induction and can therefore easily and safely be installed or replaced without making electrical contact.

With up to 40% lower energy consumption compared to regular LED AGL systems, CEDD® enables airfields to reduce their impact on the environment. Also, the robust design of the infrastructure is highly suitable for floating 'Follow-the-Greens'. CEDD® AGL provides a solution to face the most challenging future operational demands.

All of the TKH Airport Solutions inset fixtures are available for regular 6.6-A LED AGL as well as for CEDD® AGL installations. This datasheet covers the specifications of the CEDD® Elevated Fixture - High Intensity Threshold/Runway End (HIRE THRE).

Key Features

Some of the key features of the CEDD® Elevated Fixture - High Intensity Threshold/Runway End (HIRE THRE) are:

- Dust and water resistance: IP 68
- Useful lamp life (LED) up to 50,000 hours
- Certification: ICAO/EASA
- Power consumption (CEDD® regulated): 38 W (G-R)
- Ambient temperature: -40 °C (-40 °F) / + 75 °C (+167 °F)
- Internal serial interface for diagnostics and parameterization
- Integrated single lamp control
- Intensity control: 0-100%
- Fixture easy to adjust due to patented ball joint
- Bidirectional with omnidirectional function

Photometric data in this datasheet (such as light distributions and chromaticities) is based on ICAO certification. FAA data, if applicable, is available upon request. Contact our sales team for more information.

Colors

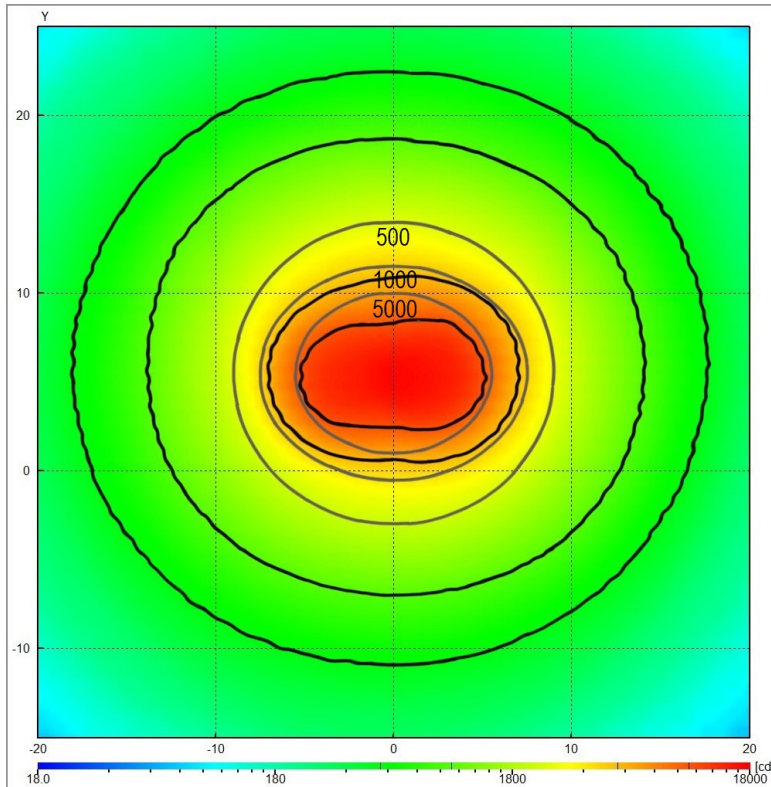
The CEDD® Elevated Fixture - High Intensity Threshold/Runway End (HIRE THRE) can be configured in the following colors:

- Green
- Red

Light distributions

Green, Threshold Light

ICAO A2-3



min. (cd)

ICAO:

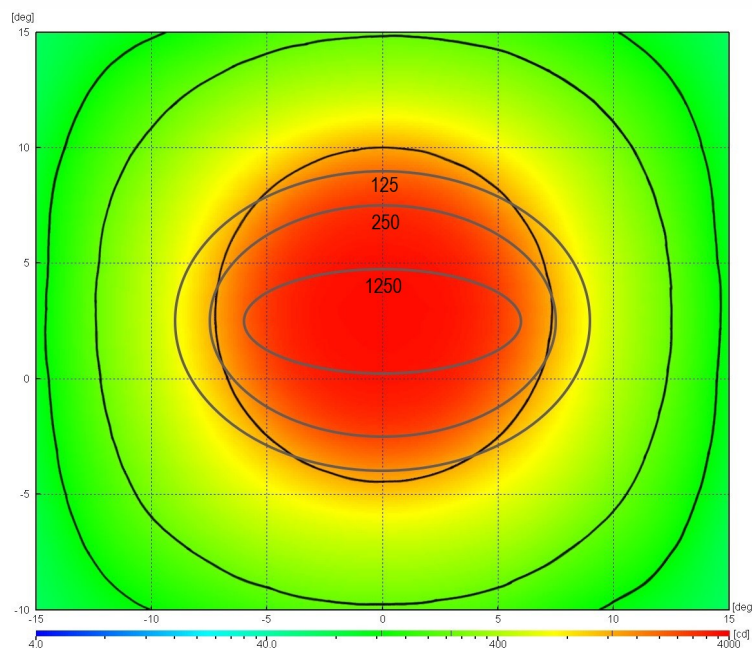


TKH (measured):



Red, Runway End Light

ICAO A2-8



min. (cd)

ICAO:

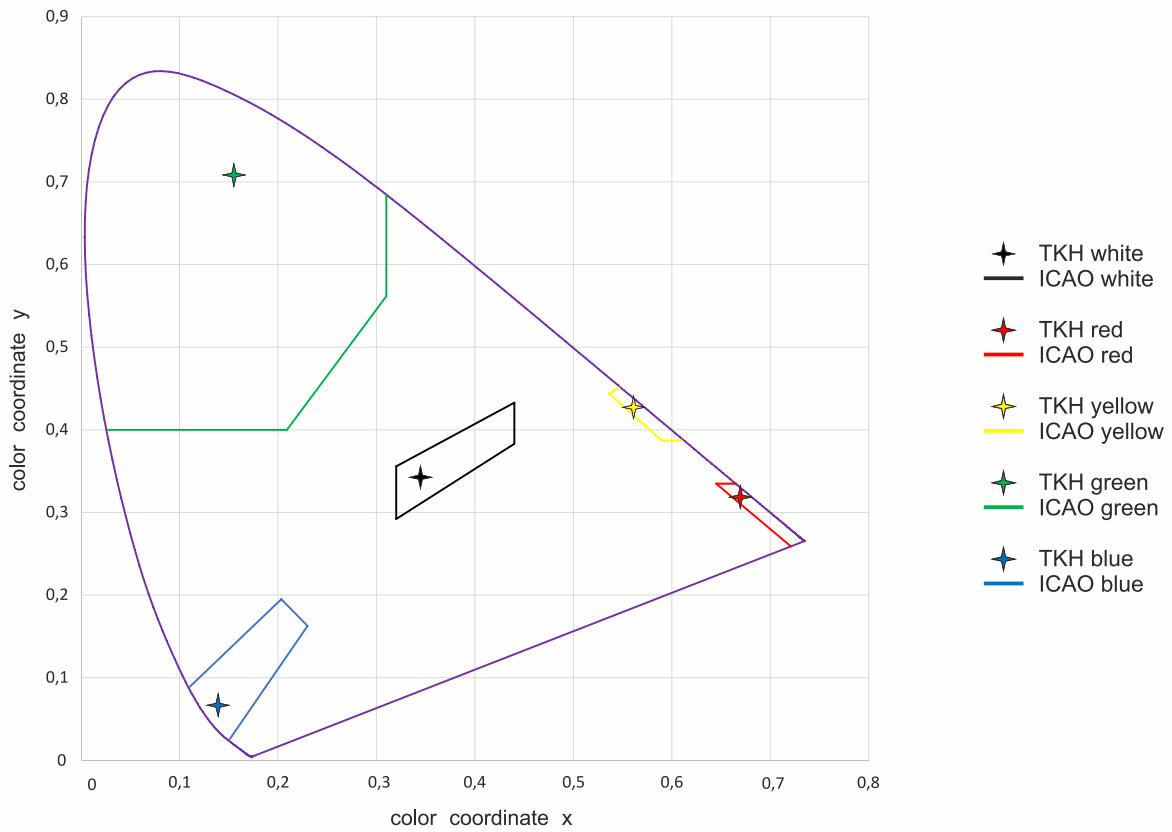


TKH (measured):



Chromaticities

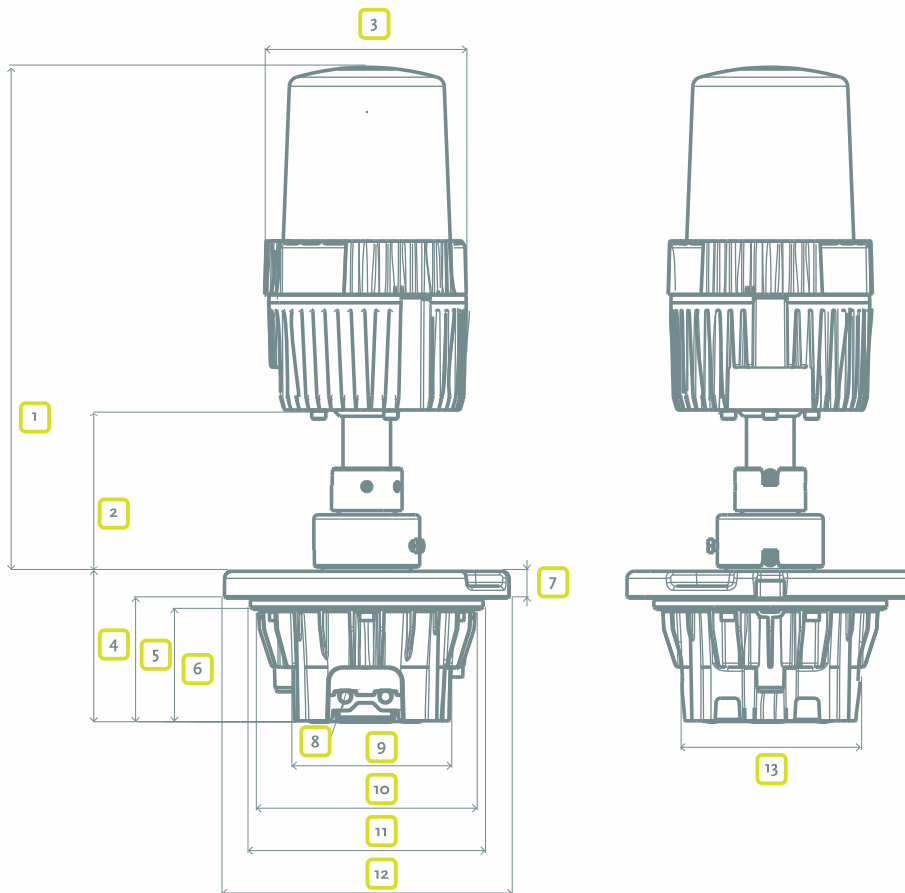
Areas description according to ICAO Annex 14, Volume I, Edition 8, July 2018



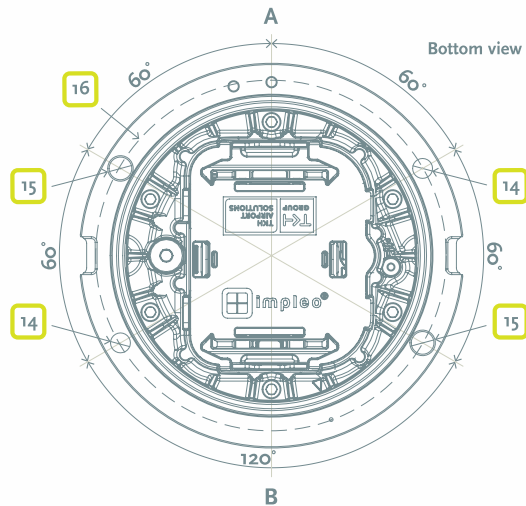
Dimensions

Elevated fixture type HIRE

	Description	Values
1	Total height of fixture	357 mm
2	Bottom height of the fixture foot	114.2 mm
3	Fixture diameter	145 mm
4	Elevated base height	105.7 mm
5	Elevated base height with flange	86.9 mm
6	Elevated base height below flange	78.9 mm
7	Elevated base cover thickness	19 mm
8	Cable diameter	Max. 7.9 mm
9	Housing bottom width	109.7 mm
10	Housing top diameter	153.5 mm
11	Flange diameter	164.9 mm
12	Elevated base cover diameter	201.7 mm
13	Housing bottom width	125.3 mm



Pos.	Description	Values
14	Elevated base diameter of mounting bolt holes (2x)	Ø 10.8 mm
15	Elevated base diameter of pilot holes (2x)	Ø 12 mm
16	Elevated base mounting hole center line	184 mm



Accessories

Recommended accessories for CEDDD[®] Elevated Fixture - HIRE:

- HIRE Adjustment Tool for aligning lights
- HIRE Assembly Tool for opening and closing the fixture
- 8" shallow base

Packing Data

Elevated fixture type HIRE

Packing material	Dimensions	Gross weight	Net weight
Cardboard box	170 mm x 170 mm x 385 mm	4.1 kg	3.9 kg

8" Elevated Base

Material	Dimensions	Gross weight	Net weight
Cardboard box	285 x 285 x 200 mm	4.2 kg	3.7 kg



Document Information

Name : 04_CEDD_Elevated_Fixture_HIRE_THRE_03-70063
Version : V1.0
Language : English (Original manual)



Company profile:

TKH Airport Solutions is an innovator in airfield ground lighting, offering a complete range of LED AGL products. We build upon the know-how from a long and successful tradition of pioneering developments in the AGL and connectivity industry. Being part of the TKH Group, our company can build on a history of more than 90 years in smart connectivity, energy distribution and AGL.

More information:

TKH Airport Solutions
sales@tkh-airportsolutions.com
www.tkh-airportsolutions.com
+31 (0)53 57 414 56

Visiting address:

Elektrostraat 17
7483 PG Haaksbergen
The Netherlands