

CEDD[®] HPS Terminator

Components

CEDD[®] AGL
Airfield Ground Lighting
Power, Control and Monitoring System



An introduction to CEDD® AGL

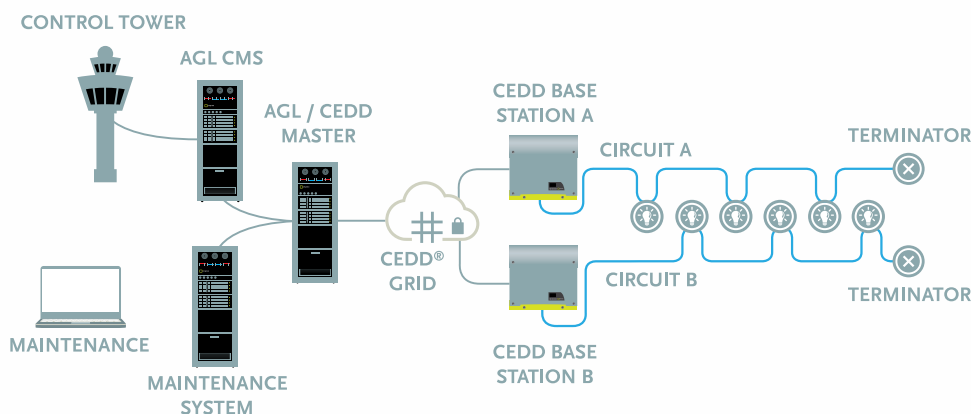
CEDD® (Contactless Energy and Data Distribution) AGL LED lighting has been developed in close collaboration with various international airports, AGL Designers, Installers, Operators and Owners/Investors. The result represents a perfect incorporation of individual requirements, special situations and needs of the airport as a whole. The CEDD® AGL portfolio includes CEDD® HPS Basestations, CEDD® Cable systems and the entire programme of CEDD® fixtures, elevated and inset lights for runways as well as taxiways and aprons. Being a market leader and technology driver, our focus is on continued further development of the current standards and setting new standards, in particular, intelligent electrical control and monitoring. One result is our development of an innovative LED concept ranging from civil and military airports to helicopter landing pads, which completely meets the international standards (ICAO, FAA, STANAG etc.). Another achievement is our ground-breaking power and communication CEDD® platform.

Changing to CEDD® LED lighting is advantageous and profitable in several ways. At first, the advantages of the LED technology compared to halogen light technology. Additional advantages in our AGL solution are given by our CEDD® technology, savings in the civil AGL infrastructure – e.g. no need of manholes and transformer pits - and in the electrical infrastructure – no transformers, less cables, no infield electrical connectors, additional power consumption savings etc. New functionalities have become a standard integrated into the CEDD® technology, which results in improvements in TCO and the BEST IN CLASS asset management performance and a proactive approach to SAFETY. Our CEDD® AGL solution is robust, simple and flexible, sustainable and future proof because of our leading and trendsetting vision.

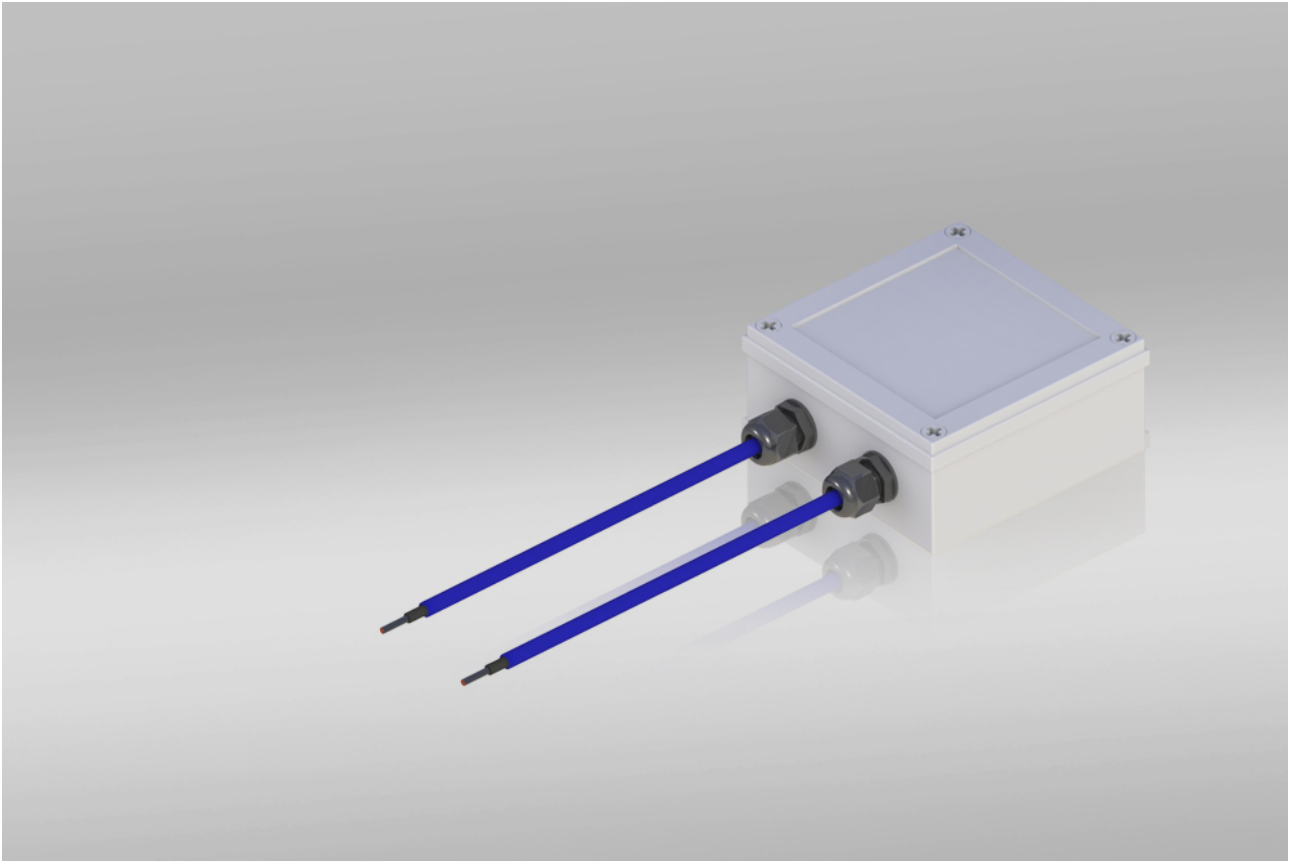
What is CEDD®

CEDD® is an innovative contactless energy and communication technology. Energy and data transport are combined in a twisted pair cable system; an HPS Basestation with contactless fixtures. With this structured connectivity concept, escape lighting in tunnels or lighting for helicopter decks and airfields can easily be installed or replaced without making galvanic (electrical) contact with the power/data cable.

The CEDD® system has been specially designed for demands where high safety requirements and uninterrupted operation of Airfield Ground Lighting Systems on airports are essential. Main advantages of CEDD® connectivity platform are: no connectors and no electrical (galvanic) contact with the cable, energise and bi-directional communication of the fixtures in modular and distributed system topology. This will result in some key advantages of the CEDD® system, such as: simple and easy to use, ultra safe, faster installation, support of maintenance 2.0 with its built-in asset management system and attractive financial savings.



For more information about CEDD®, please visit: <https://www.tkh-airportsolutions.com/>



Because the number of CEDD® fixtures and the length of the CEDD® cable in a typical set-up are variable, the characteristic impedance of the CEDD® AGL system varies. This causes signal reflections at the end of the cable. These reflections can produce interference or power loss in the CEDD® AGL system. To prevent these reflections a CEDD® HPS Terminator is placed at the end of every CEDD® cable.

The CEDD® HPS Terminator also acts as a watertight seal of the CEDD® cable end.

The CEDD® HPS Terminator is connected to the CEDD® cable during in field installation. The exact location will be somewhere in or near the pavement. After installation the CEDD® HPS Terminator does not need any maintenance.

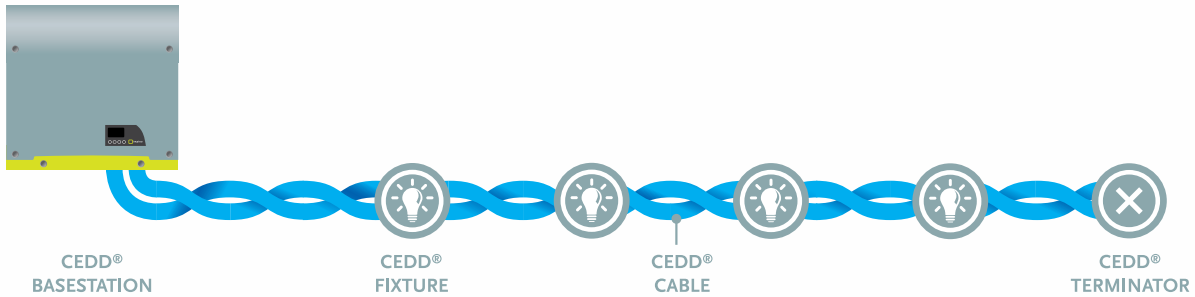
Key features

Some of the key features of the CEDD® HPS Terminator are:

- Dust- and waterproof
- Extreme long life
- Maintenance free
- Characteristic impedance termination for the CEDD® AGL system.

Position in the CEDD® AGL system

A typical CEDD® AGL system consists of a CEDD® HPS Basestation that distributes power and facilitates bi-directional communication through the CEDD® cable to a CEDD® fixture. A CEDD® terminator optimises the performance of the CEDD® cable.



Standards

The CEDD® HPS Terminator is compliant with one or more of the following standards:

- EN-IEC 61010:2010
- EN-IEC 60950:2009 (for creepage / clearance distances only)

Variants

To match the characteristic impedance the CEDD® HPS Terminator will be factory tuned.

Specifications

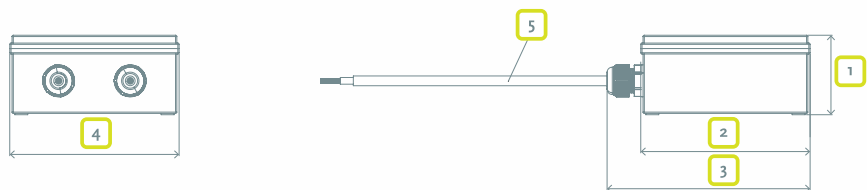
HPS Terminator

Description	Values
Ambient operating temperature	- 20 °C – + 85 °C
Relative operating humidity	0 ... 100 %
Installation method	in field
Maintenance	maintenance free
Mounting	within 12" shallow base or metal enclosure
Cable connection	cable is not detachable
Ingress protection degree	IP 68 (IEC 60529)
Cable current	0 to 5 A _{rms} Typical at 3.5 A _{rms} and typical at 20 kHz
Maximum voltage	1000 V _{rms}

Dimensions

Terminator

Pos.	Description	Values
1	Height	61 mm
2	Length without glands	130 mm
3	Length with glands	≤ 162 mm
4	Width	130 mm
5	CEDD® cable	



Options

- n.a.

Accessories

- 12" CEDD® shallow base
- 12" CEDD® cover plate

Packing data

Terminator

Packing material	Dimensions	Gross weight	Net weight
Cardboard box	300 x 300 x 200 cm	2.1 kg	1.6 kg

Ordering code

Please download our configuration tool at <https://www.tkh-airportsolutions.com/airfield-products/> or scan:



Installation

For the installation of the CEDD® HPS Terminator please see manual:

05_CEDD_Terminator_Manual_03-70091

Document information

Name : o4_CEDD_Terminator_03-70055

Version : V1.4

Language : English (Original manual)

For the latest version of this document see <https://www.tkh-airportsolutions.com/airfield-products/> or scan:





Notes

A series of horizontal dashed lines spanning the width of the page, intended for writing notes.



Notes

Lined area for notes, consisting of multiple horizontal dashed lines for writing.



Company profile:

TKH Airport Solutions is a provider of comprehensive range of Airfield Ground Lighting products. It includes powerful, highly reliable top of the range LED lighting products as well as future-proof technologies to better power and communicate with your LED lights. With our CEDD-AGL solution, we seamlessly integrate the needs of airports with new airfield network technology.

More information:

TKH Airport Solutions b.v.
sales@tkh-airportsolutions.com
www.tkh-airportsolutions.com
+31 (0)53 57 414 57

Visiting address:

Elektrostraat 17
7483 PG Haaksbergen
The Netherlands



member of the TKH Group <