



TKH
AIRPORT
SOLUTIONS



Datasheet

Taxiway Edge Light (241)

LED AGL
Airfield Ground Lighting

03-71044
V2.0

General

TKH Airport Solutions elevated lights are efficient LED lights that meet the highest requirements in design and development. The use of shatter-proof and scratch resistant glass and the high temperature resistance range guarantee a lifetime of 20 years. The risk of damage is greatly reduced and therefore a significant reduction in maintenance costs and material consumption can be achieved. Shape, size and weight have a positive impact on the wind load and in addition, the lights offer a high-resistance to the plane's jet wash and provide ideal illumination even under difficult conditions.

Key features

- Power consumption: 8W
- No adjustment of the light fitting
- Aviation color lenses used with colored LEDs
- Available with FAA-L823 cable plug
- Fully corrosion proof components
- Finished in stove enamel aviation yellow
- Suitable for use with a daylight marker cone

Standards

This fixture has been developed according to the following standards:

- ICAO Annex14, Vol. 1
- FAA AC 150/5345-46E
- Engineering Brief No. 67D
- IEC TS 61827

Variants

- Total height 260mm
- Total height 350mm

Colours

- blue

Light distributions

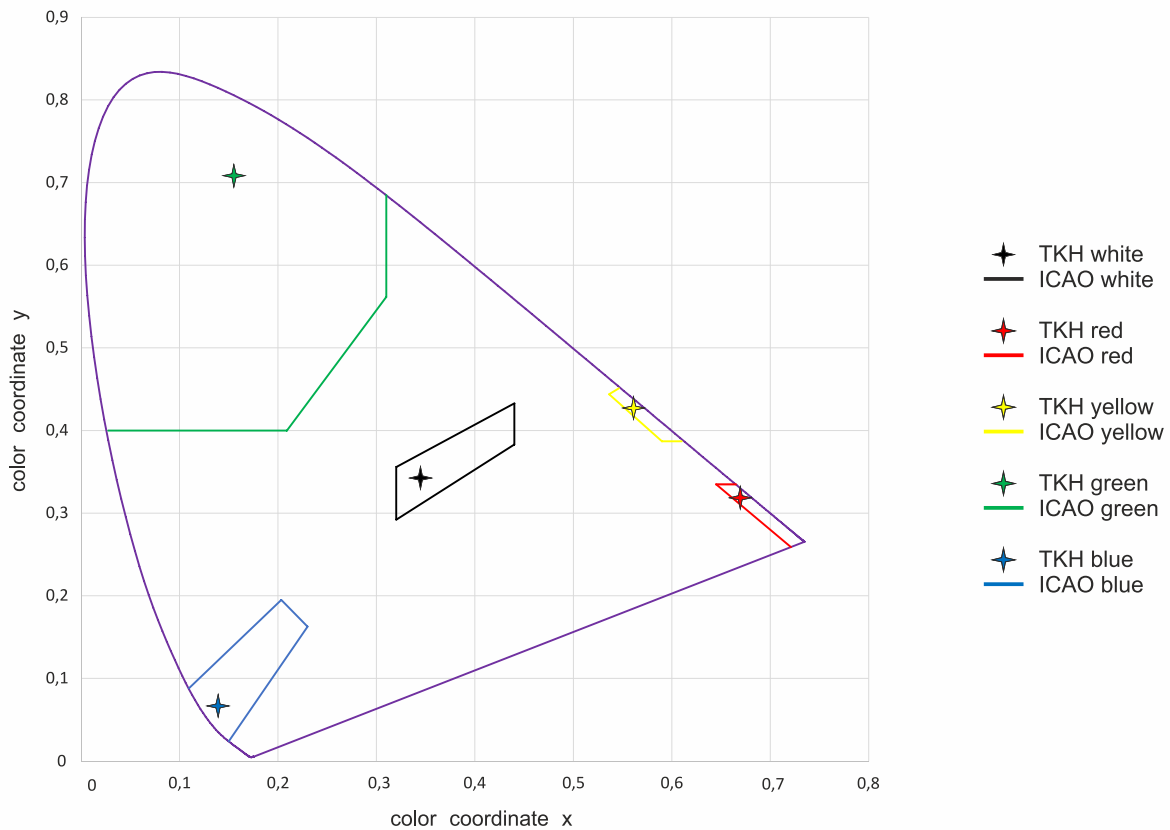
Blue, Taxiway Edge Elevated Light

ICAO §5.3.18

ICAO	TKH
min. (cd)	
2.0	2.0
0.2	1.0

Chromaticities

Areas description according to ICAO Annex 14, Volume I, Edition 8, July 2018



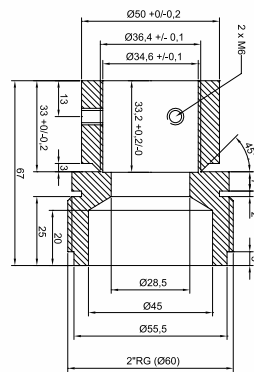
Couplings

TKH elevated light fixtures can be delivered with different types of breakable coupling:

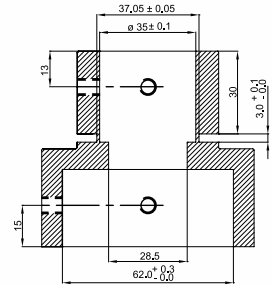
- **Type A:** With 2" thread (European standard thread or 11,5 NPT or NPS)
- **Type C:** For 2" pole mounting
- Customer designed couplings

TKH breakable coupling is calculated and tested to break at

45 kgm \pm 4 kgm which is in accordance with FAA AC 150/5345-46E and ICAO Annex14, Vol. 1

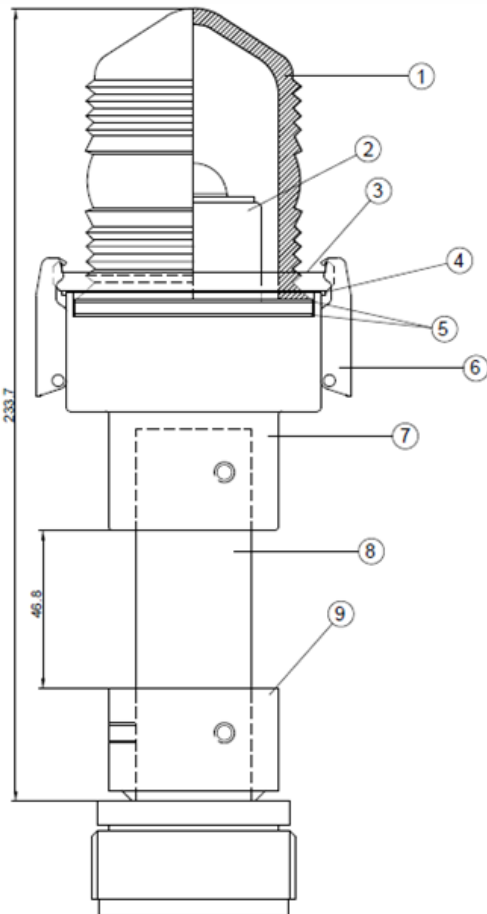


Type A



Type C

Dimensions



1. Lens, blue
2. Light unit
3. Top ring
4. Neoprene seal
5. Rubber seal
6. Steel clamp
7. Lamp housing
8. Transformer tube
9. Breakable coupling

Accessories

- Transformer
- Breakable coupling (unless included)
- Base plate

Please contact our sales team to know which accessories are required for your application.

Ordering Code

Ordering Code	Type No.	Description
241.LED-B.B.4.A-6,6A	011.494-047	Elevated Taxiway Edge Light, blue LED, breakable coupling A, 0.4m FAA cable, 260mm total height
241.LED-B.B.4.C-6,6A	011.494-057	Elevated Taxiway Edge Light, blue LED, breakable coupling C, 0.4m FAA cable, 260mm total height
241.LED-B.L.4.A-6,6A	011.494-067	Elevated Taxiway Edge Light, blue LED, breakable coupling A, 0.4m FAA cable, 350mm total height
241.LED-B.L.4.C-6,6A	011.494-077	Elevated Taxiway Edge Light, blue LED, breakable coupling C, 0.4m FAA cable, 350mm total height

Document information

Name : 04_LED_Taxiway_Edge_Light_Type_241_03-71044
Version : V2.0
Language : English (Original manual)

For the latest version of this document see <https://www.tkh-airportsolutions.com/airfield-products/> or scan:





Company profile:

TKH Airport Solutions is an innovator in airfield ground lighting, providing a range of AGL products and solutions. Powerful, reliable LED lighting technology as well as future-proof innovative solutions for airfield lighting. Being part of the TKH Group, our company can build on a history of more than 90 years in smart connectivity, energy distribution and AGL.

More information:

TKH Airport Solutions
sales@tkh-airportsolutions.com
www.tkh-airportsolutions.com
+31 (0)53 57 414 56

Visiting address:

Elektrostraat 17
7483 PG Haaksbergen
The Netherlands



member of the TKH Group <