

# Datasheet

Installation Tool (for 8" and 12" Shallow Base)

## General

The installation tool is designed to hold the base in the correct position during casting with a resin to permanently fix the base to the asphalt or concrete. The installation tool can hold the base hanging in the drilled hole in the surface, indicate the correct position for the light output and includes adjustment facilities to make the top of the base placed exactly in the same height as the surrounding surface. The installation tool can be mounted on the base for installation without toe-in, or with a toe-in of 2.5° or 4°.

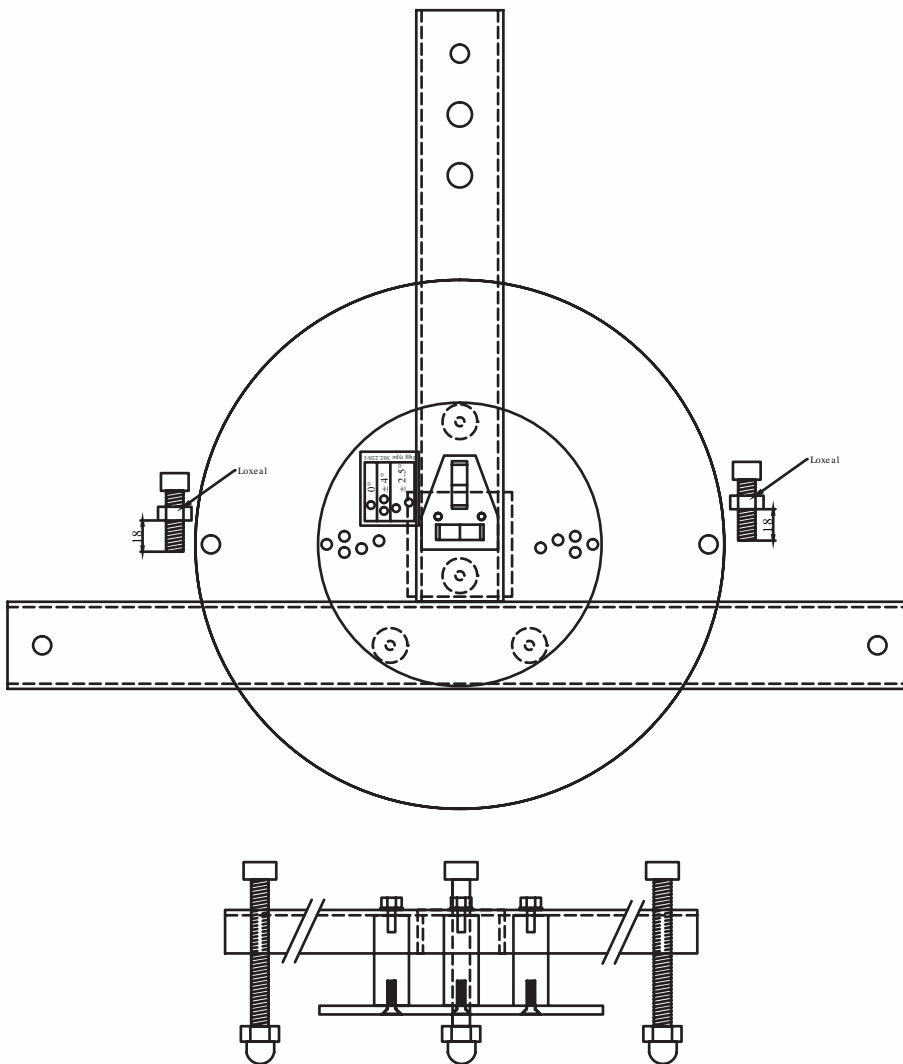
## Application

The base is fixed to the installation tool by means of the two M10 bolts. Use the holes for 2.5° or 4° toe-in respectively. The base is placed in the center of the drilled hole in the surface, and by means of the three height-adjustment screws, the base is adjusted to a horizontal level as close to the level of the surface as possible.

The installation tool with base is corrected to match the right light output direction. This can simply be done by using the light output direction indicator (arrow) on the installation tool to control the direction, or an additional telescope can be fixed to the installation tool and provide higher accuracy and easier adjustment procedure. Finally the height of the base is controlled and eventual corrected.

The hole in base is sealed around the incoming cable (foam is suitable) and the resin can be poured according to manufactures instructions. In some cases, it can be necessary to put a sand back or similar on top of the base to prevent the base from floating in the resin. The installation tool must stay fixed to the base until the resin is fully hardened. On the installation tool a twodimensional level is placed for the control of correct horizontal position of the base in the hole.

## Technical Drawing



## Document information

Name : 04\_Installation\_Tool\_Type\_For\_8\_Inch\_And\_12\_Inch\_Shallow\_Base\_03-71066  
Version : V1.3  
Language : English (Original manual)

For the latest version of this document see <https://www.tkh-airportsolutions.com/airfield-products/> or scan:





### Company profile:

TKH Airport Solutions is an innovator in airfield ground lighting, providing a range of AGL products and solutions. Powerful, reliable LED lighting technology as well as future-proof innovative solutions for airfield lighting. Being part of the TKH Group, our company can build on a history of more than 90 years in smart connectivity, energy distribution and AGL.

#### More information:

TKH Airport Solutions  
sales@tkh-airportsolutions.com  
www.tkh-airportsolutions.com  
+31 (0)53 57 414 56

#### Visiting address:

Elektrostraat 17  
7483 PG Haaksbergen  
The Netherlands



member of the TKH Group <