



TKH  
AIRPORT  
SOLUTIONS



# Datasheet

**Taxiway Edge Light (795 Halogen)**

**HALOGEN AGL**  
Airfield Ground Lighting

03-71046  
V2.0

## Description

The fitting type 795 is a fixed-focus, low-intensity, omnidirectional, lightweight, elevated taxiway edge light constructed to meet the demands for easy mounting, levelling and service, capability to resist jet blast from today's aircrafts, and last but not least to give sufficient light intensity, in the right angles with the use of a standard lamp with an optimal life-time.

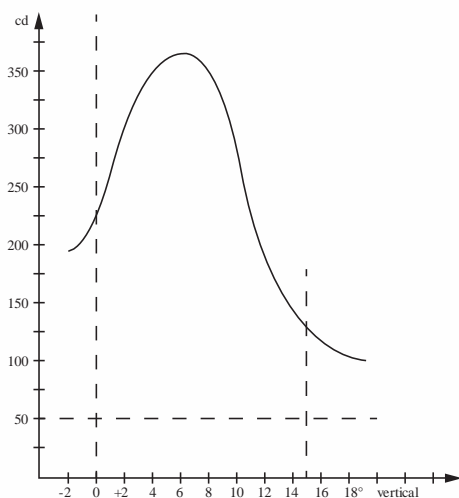
## Application

The low-intensity fitting type 795 is intended to be used in all weather conditions, designed for operation under CAT I, II and III conditions. It is also suitable as stopbar and obstruction light in red.

## Features

- The design is based on FAA Advisory circular AC 150 / 5345-46 A
- Heat resistant, one lens system
- The lens surface is smooth and easy to clean
- Can be supplied with prefocused 45 or 100 w/6.6 A halogen standard lamps with an average lifetime of 1,000 hours at 100 % intensity
- Aviation colour lenses available
- Fully corrosion proof components
- Finished in stove enamel aviation yellow
- Suitable for use with a daylight marker cone

## Light Distributions



### Light Transmission

White	≈1,000
Blue	≈0,025
Red	≈0,220
Yellow	≈0,450

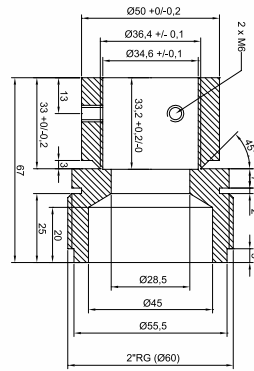
## Couplings

TKH elevated light fixtures can be delivered with different types of breakable coupling:

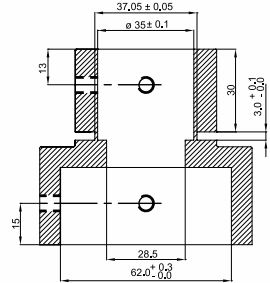
- **Type A:** With 2" thread (European standard thread or 11,5 NPT or NPS)
- **Type C:** For 2" pole mounting
- Customer designed couplings

TKH breakable coupling is calculated and tested to break at

45 kgm  $\pm$  4 kgm which is in accordance with FAA AC 150/5345-46E and ICAO Annex14, Vol. 1

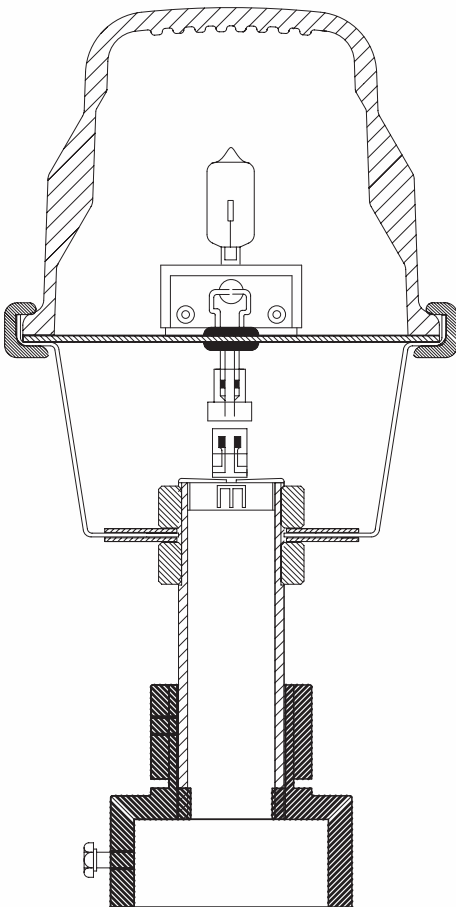


Type A



Type C

## Technical drawing



## Accessories

- Transformer
- Breakable coupling (unless included)
- Base plate

Please contact our sales team to know which accessories are required for your application.

## Document information

Name : 04\_Taxiway\_Edge\_Light\_Type\_795\_Halogen\_03-71046  
Version : V2.0  
Language : English (Original manual)

For the latest version of this document see <https://www.tkh-airportsolutions.com/airfield-products/> or scan:





### Company profile:

TKH Airport Solutions is an innovator in airfield ground lighting, providing a range of AGL products and solutions. Powerful, reliable LED lighting technology as well as future-proof innovative solutions for airfield lighting. Being part of the TKH Group, our company can build on a history of more than 90 years in smart connectivity, energy distribution and AGL.

#### More information:

TKH Airport Solutions  
sales@tkh-airportsolutions.com  
www.tkh-airportsolutions.com  
+31 (0)53 57 414 56

#### Visiting address:

Elektrostraat 17  
7483 PG Haaksbergen  
The Netherlands



member of the TKH Group <