



TKH
AIRPORT
SOLUTIONS



Datasheet

Runway Edge Light (796 Halogen)

HALOGEN AGL
Airfield Ground Lighting

03-71041
V2.0

Description

The fitting type 796 is a fixed-focus, high intensity, bidirectional, lightweight, elevated runway edge light constructed to meet the demands for easy mounting, levelling and service, capability to resist jet blast from today's aerocrafts, and last but not least to give sufficient light intensity, in the right angles with the use of a standard lamp with an optimal life-time.

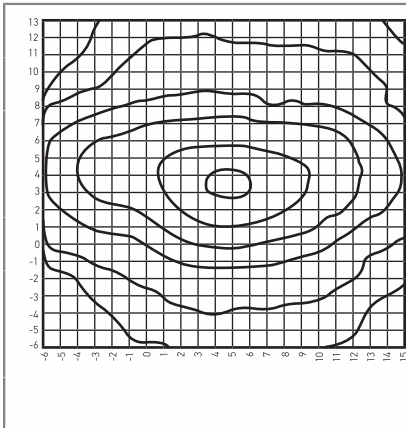
Application

The high intensity fitting type 796 is intended to be used in all weather conditions for edge lighting of instrument runways, designed for operation under CAT I, II and III conditions. It is also suitable as threshold and runway end light.

Features

- The design is based on FAA Advisory circular AC 150 / 5345-46A
- FAA-L-862 requirements to be achieved with clear lenses and 100 W bulb
- FAA-L-862E requirements to be achieved with green innerlens and 150 W bulb
- ICAO requirements in Annex 14, Vol.1, fig. 2.9 and 2.10 to be achieved with 100 W bulb
- Heat resistant, two element lens system, providing two high intensity main beams and additional light for circling guidance
- The outside lens surface is smooth and easy to clean
- Extremely easy levelling and adjustment due to patented balljoint
- No adjustment of the light fitting, except for initial aiming, is required
- Can be supplied with prefocused 100, 150 or 200 W/6.6 A halogen standard lamps with an average lifetime of 1,000 hours at 100 % intensity
- Aviation color lenses available
- Fully corrosion proof components
- Finished in stove enamel aviation yellow
- Suitable for use with a daylight marker cone

Light Distributions



Peak intensity (cd)	19,000
Beam dimension	V: 7.0° / H: 11.0°
Average intensity (cd)	14,500
Toe-In	4.0°
Elevation	4.5°
Color transmission	
Green	0.23
Red	0.24

Colours

- White
- Green
- Red

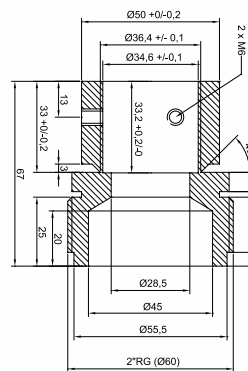
Couplings

TKH elevated light fixtures can be delivered with different types of breakable coupling:

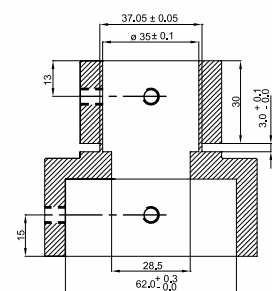
- **Type A:** With 2" thread (European standard thread or 11,5 NPT or NPS)
- **Type C:** For 2" pole mounting
- Customer designed couplings

TKH breakable coupling is calculated and tested to break at

45 kgm ± 4 kgm which is in accordance with FAA AC 150/5345-46E and ICAO Annex14, Vol. 1

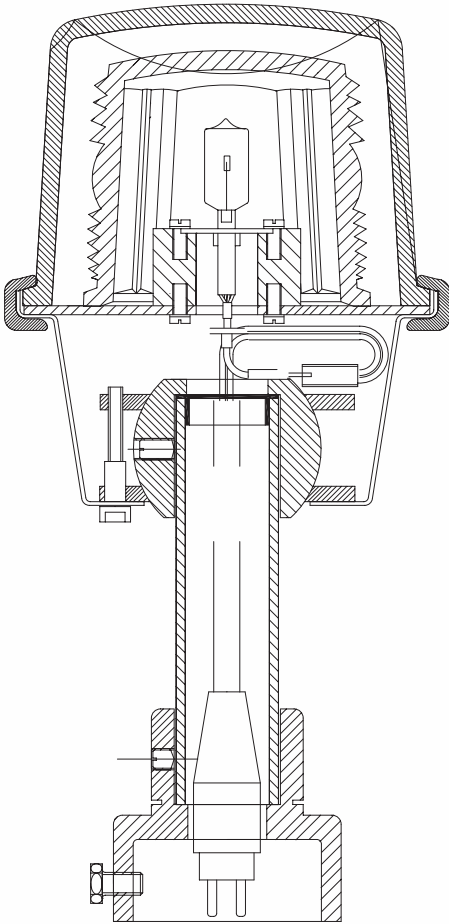


Type A



Type C

Technical Drawing



Accessories

- Transformer
- Breakable coupling (unless included)
- Base plate
- Adjustment tool

Please contact our sales team to know which accessories are required for your application.

Packing data

Dimensions (L x W x H) in mm

140 x 140 x 300

Gross weight in kg Net. weight in kg

2.75

2.5



Document information

Name : 04_Runway_Edge_Light_Type_796_Halogen_03-71041

Version : V2.0

Language : English (Original manual)

For the latest version of this document see <https://www.tkh-airportsolutions.com/airfield-products/> or scan:





Company profile:

TKH Airport Solutions is an innovator in airfield ground lighting, providing a range of AGL products and solutions. Powerful, reliable LED lighting technology as well as future-proof innovative solutions for airfield lighting. Being part of the TKH Group, our company can build on a history of more than 90 years in smart connectivity, energy distribution and AGL.

More information:

TKH Airport Solutions
sales@tkh-airportsolutions.com
www.tkh-airportsolutions.com
+31 (0)53 57 414 56

Visiting address:

Elektrostraat 17
7483 PG Haaksbergen
The Netherlands



member of the TKH Group <