



TKH
AIRPORT
SOLUTIONS



Datasheet

Elevated Light Halogen (792)

HALOGEN AGL
Airfield Ground Lighting

03-71035
V2.0

General

The elevated lights in halogen Type 792 are high-intensity, unidirectional, lightweight lights constructed to meet the demands for easy mounting, levelling and service. They have the capability to resist jet blast from today's aircraft, and last but not least they give sufficient light intensity, in the right angles with the use of a standard lamp with an optimal lifetime.

Key features

- Easy levelling and adjustment due to the patented ball joint
- The shape, the small size and weight (3 kg – 6lb) are favourable features in respect to wind load and blast
- Flexible mast adaptation for various diameters of poles
- Mounting on tube, pole or base plates
- Fully corrosion proof components are used
- Finished in aviation yellow
- Dust and water tightness: IP65
- Front glass according to FAA spec. CAA-1199a.
- The outside surface of the glass is smooth and need no cleaning.
- No adjustment necessary after relamping
- Can be supplied with prefocused 100, 150 or 200 W/6,6A halogen standard lamps with an average lifetime of 1,000 hours at 100 % intensity

Standards

This fixture has been developed according to the following standards:

- ICAO Annex14, Vol. 1
- FAA AC 150/5345-46E
- Engineering Brief No. 67D
- IEC TS 61827

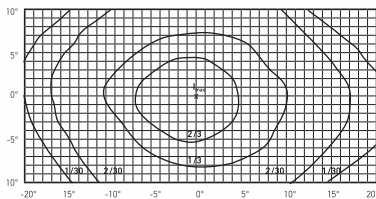
Variants

- Approach
- Side Row
- Threshold
- Stop Bar
- Runway End
- Runway Guard

Colours

- White
- Red
- Green
- Yellow

Light Distributions



Approach - Clear

$I_{max} = 8,500 \text{ cd} / 1,000 \text{ lm}$

Bulbs:

200 W: 4,400 lm

150 W: 3,600 lm

100 W: 2,700 lm

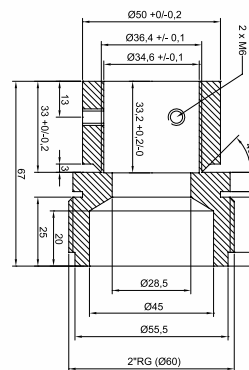
Couplings

TKH elevated light fixtures can be delivered with different types of breakable coupling:

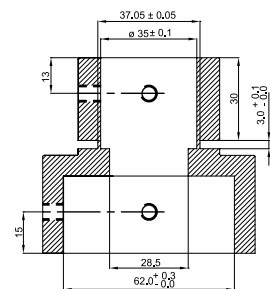
- **Type A:** With 2" thread (European standard thread or 11,5 NPT or NPS)
- **Type C:** For 2" pole mounting
- Customer designed couplings

TKH breakable coupling is calculated and tested to break at

45 kgm \pm 4 kgm which is in accordance with FAA AC 150/5345-46E and ICAO Annex14, Vol. 1

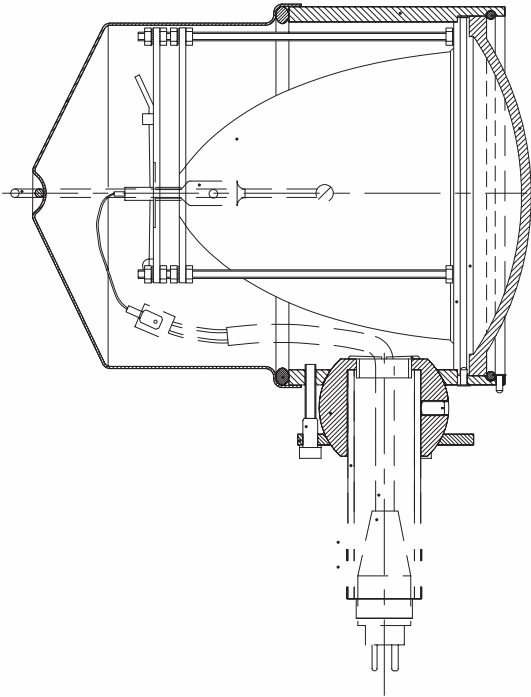


Type A



Type C

Technical Drawing



Accessories

- Transformer
- Breakable coupling (unless included)
- Base plate
- Adjustment tool

Please contact our sales team to know which accessories are required for your application.

Document information

Name : 04_Elevated_Light_Halogen_Type_792_03-71035
Version : V2.0
Language : English (Original manual)

For the latest version of this document see <https://www.tkh-airportsolutions.com/airfield-products/> or scan:



Ordering code

Option	Key	Description	APH	S	I	3	4	W	00	0	00	-	3	-	40	-	1	0	0	0	-	792	-	100	-	A
Version																										
	APH	Approach Light																								
	SR	Side Row																								
	THR	Threshold Light																								
	STB	Stop Bar Light																								
	RWE	Runway End Light																								
	RWG0	Runway Guard Flash 0 Light																								
	RWG1	Runway Guard Flash 1 Light																								
	RWGs	Runway Guard Steady Light																								
Direction																										
	S	Straight																								
Regulation																										
	I	ICAO																								
Light Intensity																										
	1	CAT I																								
	2	CAT II																								
	3	CAT III																								
Cover/Size																										
	4	Elevated																								
Color A																										
	G	Green																								
	R	Red																								
	W	White																								
	Y	Yellow																								
Toe-in A																										
	00	No Toe-In																								
Color B																										
	0	Blank																								
Toe-in B																										
	00	No Toe-In																								
Prism																										
	3	Glass for elevated Lights																								
Cable																										
	40	400mm One Plug																								
Plug type																										
	1	Standard FAA 2-Pole-Plug																								
Fail-open																										
	0	Without Fail-Open																								
Deicing-Kit																										
	0	Without De-icing																								
Special options																										
	0	No Special Options																								
Family																										
	792	Unidirectional Elevated																								
Light Source																										
	100	100W Halogen																								
	150	150W Halogen																								
	200	200W Halogen																								
Coupling																										
	A	Coupling A																								
	C	Coupling C																								
	T	One tube, No coupling																								



Company profile:

TKH Airport Solutions is an innovator in airfield ground lighting, providing a range of AGL products and solutions. Powerful, reliable LED lighting technology as well as future-proof innovative solutions for airfield lighting. Being part of the TKH Group, our company can build on a history of more than 90 years in smart connectivity, energy distribution and AGL.

More information:

TKH Airport Solutions
sales@tkh-airportsolutions.com
www.tkh-airportsolutions.com
+31 (0)53 57 414 56

Visiting address:

Elektrostraat 17
7483 PG Haaksbergen
The Netherlands



member of the TKH Group <